



RICOH UNIVERSITY

Learning ♦ Knowledge ♦ Performance



D182/D183/D184 PARTS CATALOG

LANIER RICOH SAVIN

It is the reader's responsibility when discussing the information contained within this document to maintain a level of confidentiality that is in the best interest of Ricoh Americas Corporation and its member companies.

**NO PART OF THIS DOCUMENT MAY BE REPRODUCED IN ANY
FASHION AND DISTRIBUTED WITHOUT THE PRIOR
PERMISSION OF RICOH AMERICAS CORPORATION.**

All product names, domain names or product illustrations, including desktop images, used in this document are trademarks, registered trademarks or the property of their respective companies.

They are used throughout this book in an informational or editorial fashion only and for the benefit of such companies. No such use, or the use of any trade name, or web site is intended to convey endorsement or other affiliation with Ricoh products.

LEGEND

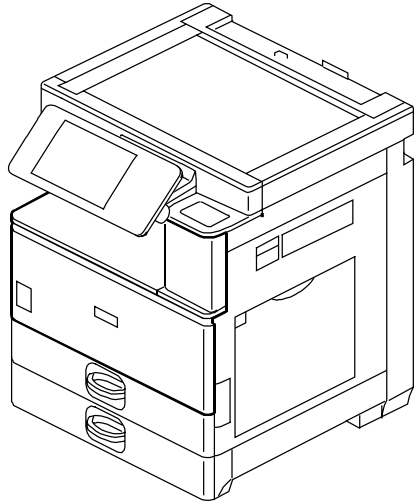
PRODUCT CODE	COMPANY		
	LANIER	RICOH	SAVIN
D182	MP 2553SP	MP 2553SP	MP 2553SP
D183	MP 3053SP	MP 3053SP	MP 3053SP
D184	MP 3353SP	MP 3353SP	MP 3353SP
B870	Optional Counter Interface Unit Type A		
D148	Smart Operation Panel Type M3		
D579	Paper Feed Unit PB3120		
D579	FAX Option Type M7		
D582	1 Bin Tray BN3090		
D583	Internal Shift Tray SH3050		
D584	Bridge Unit BU3050		
D586	Internal Finisher Type 3352		
D587-17	Punch Kit PU3020 NA		
D593	Caster Table Type D		
D593	Card Reader Bracket Type 3352		
D686	Booklet Finisher SR3150		
D687	Finisher SR3140		
D717-17	Punch Unit PU3050 NA		
D746	Paper Feed Unit PB3180		
D747	LCIT PB3190		

DOCUMENTATION HISTORY

REV. NO.	DATE	COMMENTS
*	10/2013	Original Printing

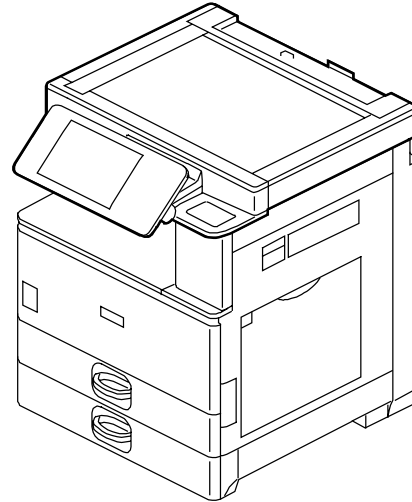
LOCATIONS OF UNITS

1. Exterior 1 (D182/D183/D184)



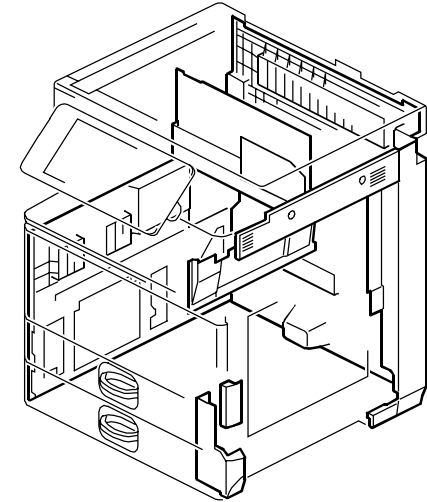
See Page 3

2. Exterior 2 (D182/D183/D184)



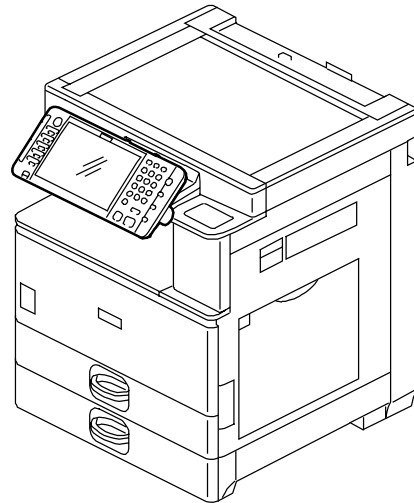
See Page 5

3. Exterior 3 (D182/D183/D184)



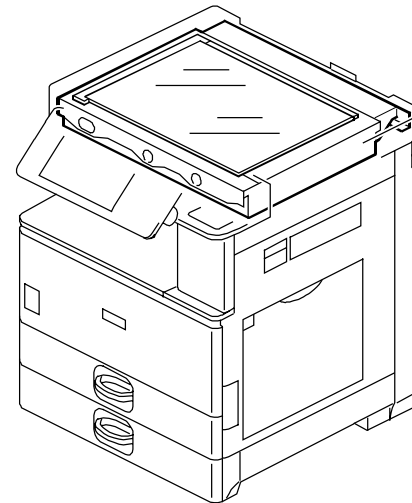
See Page 7

4. Operation Panel (D182/D183/D184)



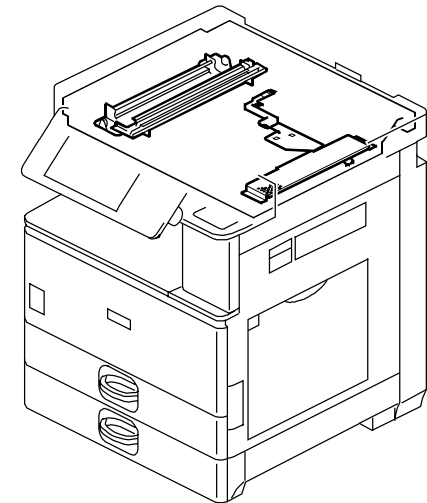
See Page 9

5. Scanner Section 1 (D182/D183/D184)



See Page 11

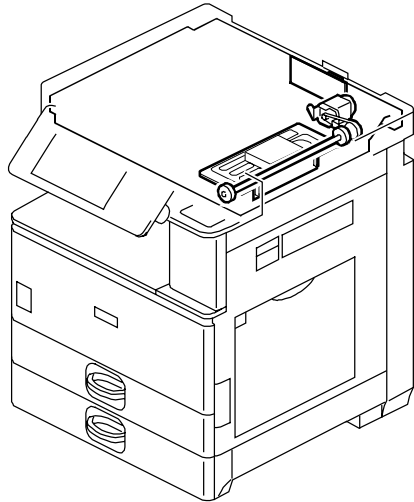
6. Scanner Section 2 (D182/D183/D184)



See Page 13

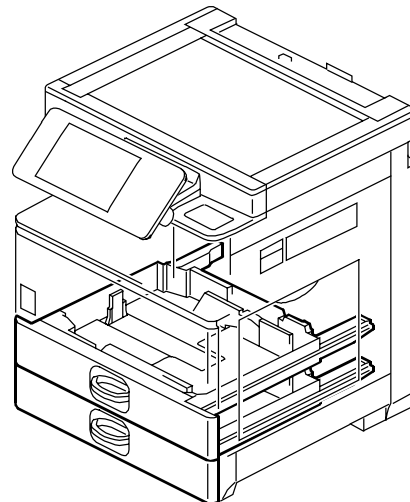
LOCATIONS OF UNITS

7. Scanner Section 3 (D182/D183/D184)



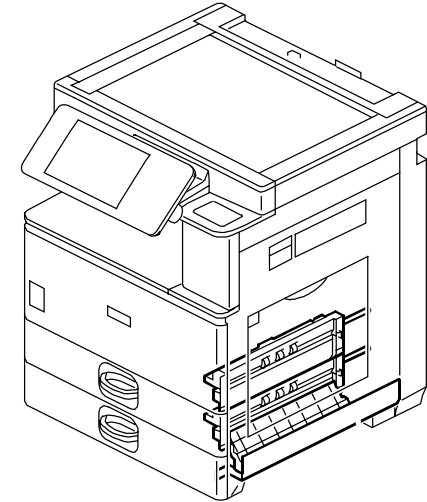
See Page 15

8. Paper Tray (D182/D183/D184)



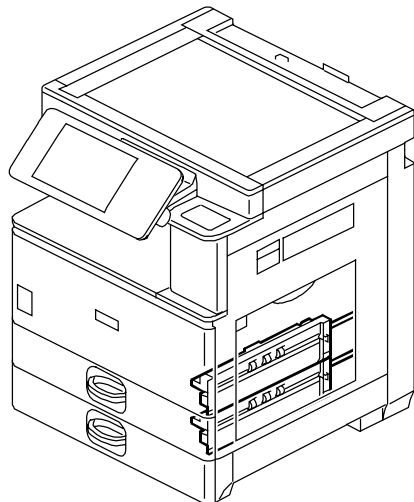
See Page 17

9. Paper Feed Section 1 (D182/D183/D184)



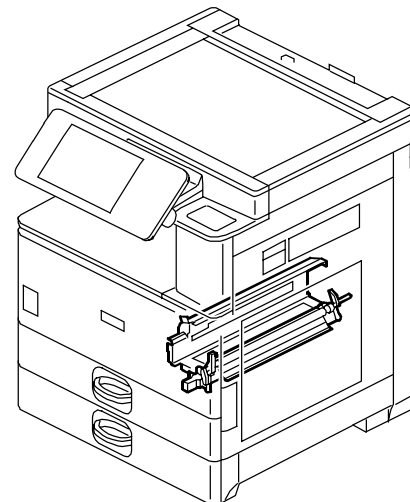
See Page 19

10. Paper Feed Section 2 (D182/D183/D184)



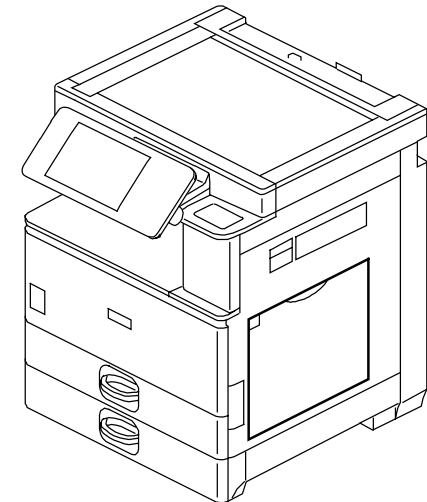
See Page 21

11. Paper Registration (D182/D183/D184)



See Page 23

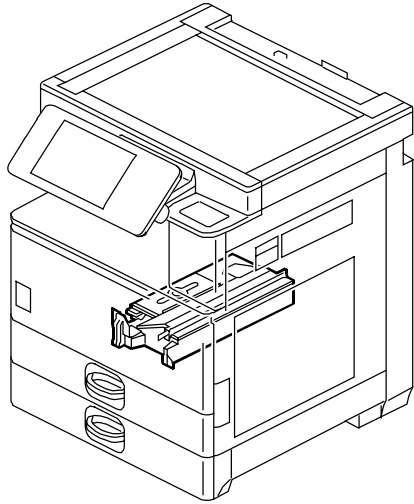
12. By-pass Feed Section (D182/D183/D184)



See Page 25

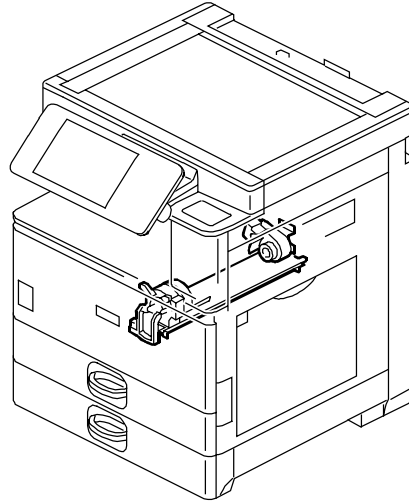
LOCATIONS OF UNITS

13. LD Unit (D182/D183/D184)



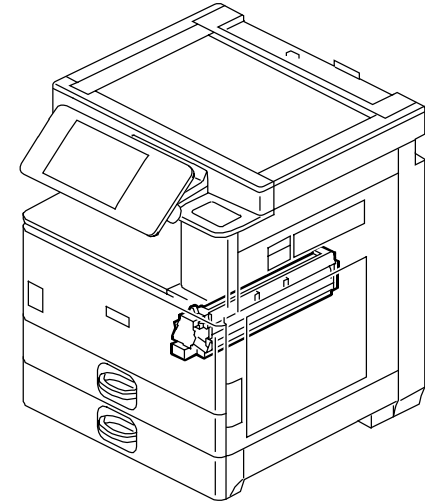
See Page 27

14. Toner Supply Unit (D182/D183/D184)



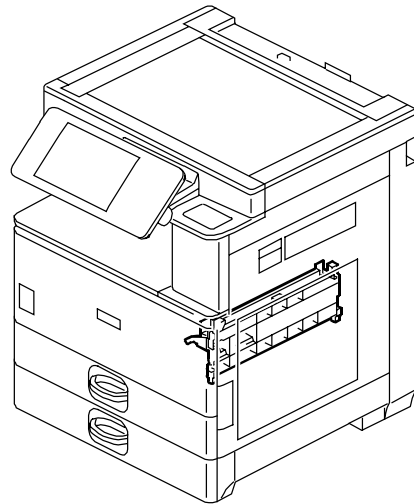
See Page 29

15. PCU (D182/D183/D184)



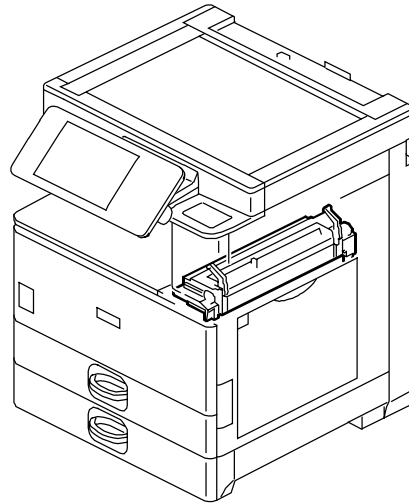
See Page 31

16. Transfer Unit (D182/D183/D184)



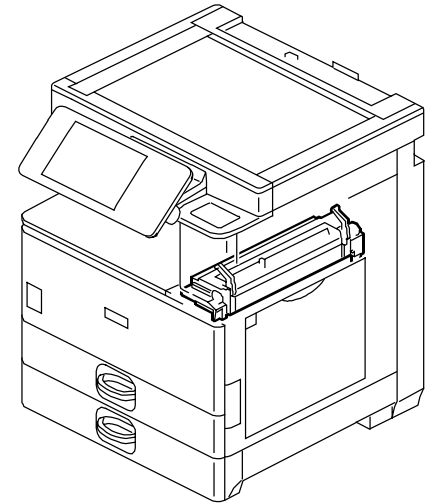
See Page 33

17. Fusing Unit 1 (D182/D183/D184)



See Page 35

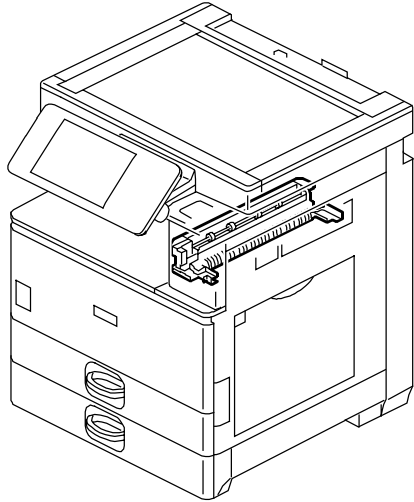
18. Fusing Unit 2 (D182/D183/D184)



See Page 37

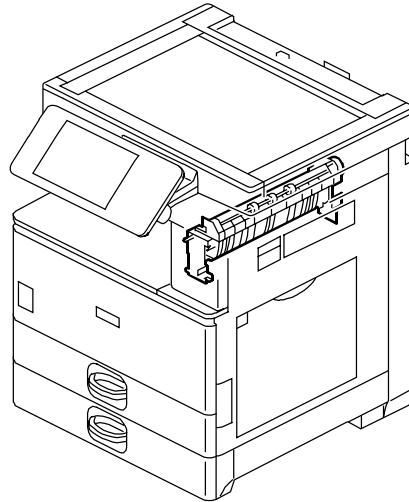
LOCATIONS OF UNITS

19. Paper Exit Section (D182/D183/D184)



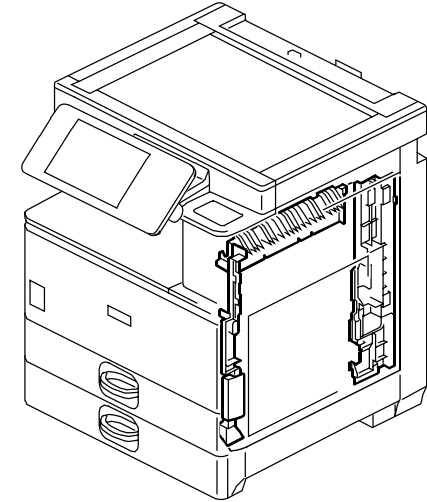
See Page 39

20. Paper Invert Section (D182/D183/D184)



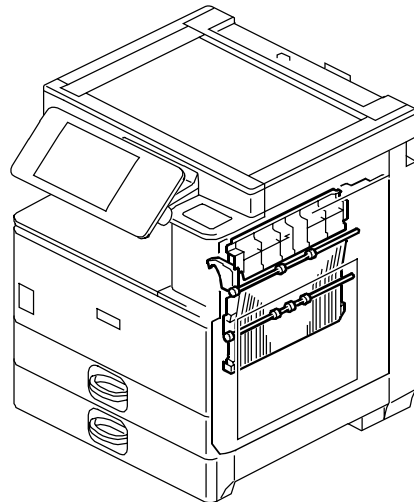
See Page 41

21. Duplex Section 1 (D182/D183/D184)



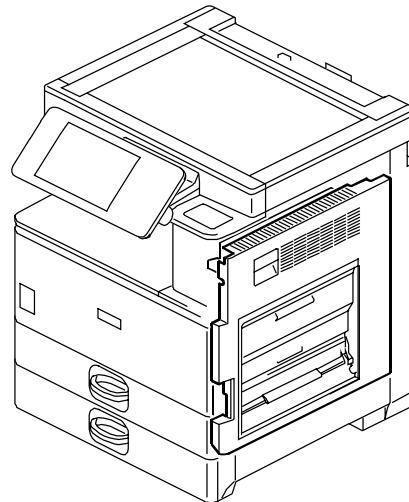
See Page 43

22. Duplex Section 2 (D182/D183/D184)



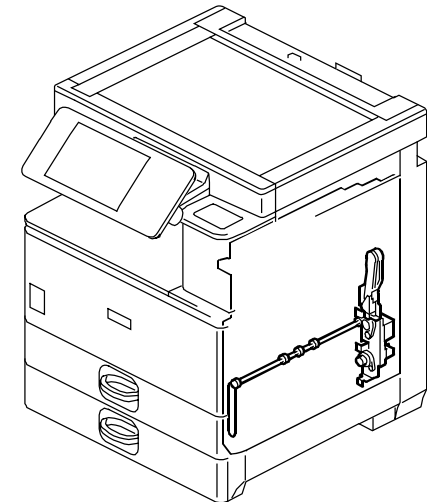
See Page 45

23. Duplex Section 3 (D182/D183/D184)



See Page 47

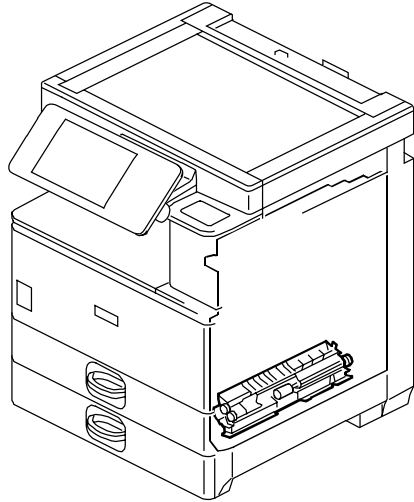
24. Duplex Section 4 (D182/D183/D184)



See Page 49

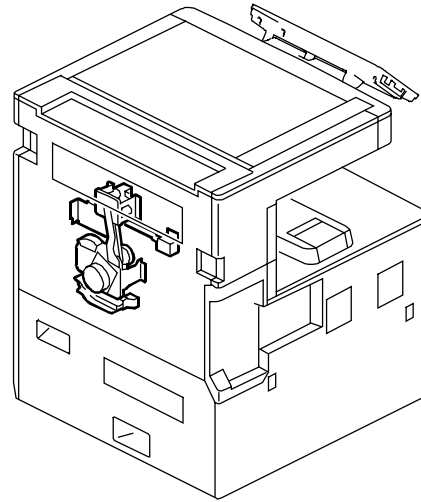
LOCATIONS OF UNITS

25. Duplex Section 5 (D182/D183/D184)



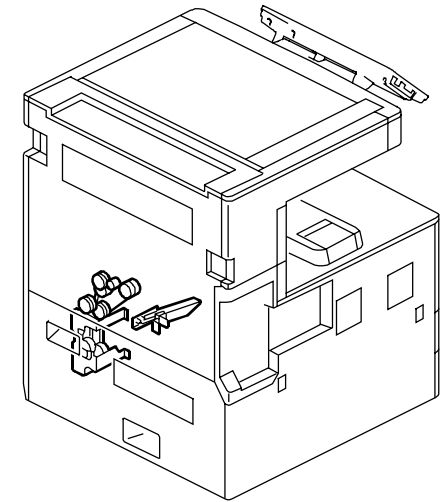
See Page 51

26. Drive Section 1 (D182/D183/D184)



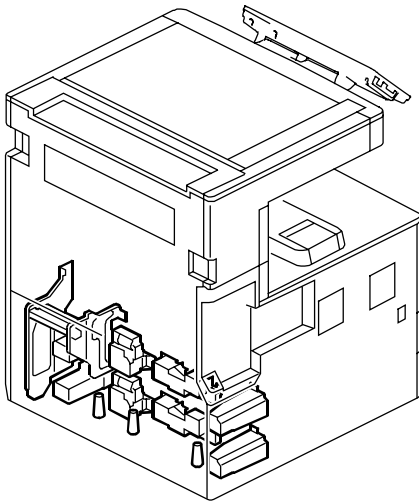
See Page 53

27. Drive Section 2 (D182/D183/D184)



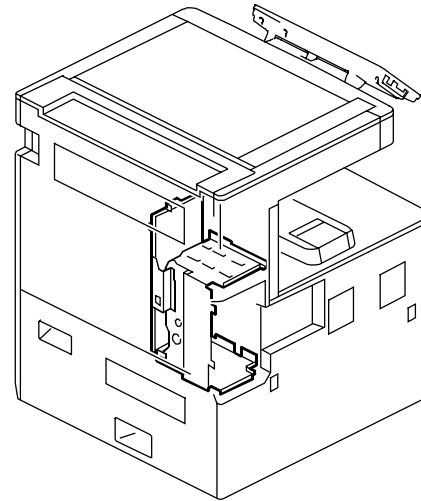
See Page 55

28. Drive Section 3 (D182/D183/D184)



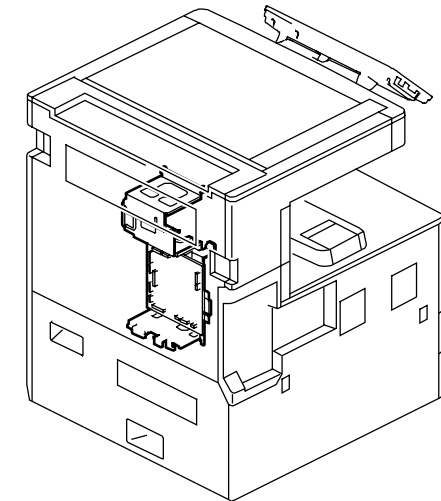
See Page 57

29. Electrical Section 1 (D182/D183/D184)



See Page 59

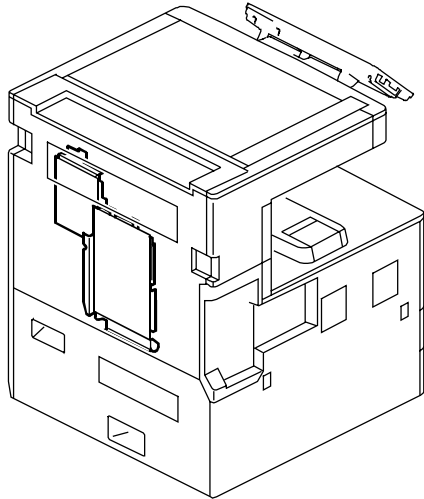
30. Electrical Section 2 (D182/D183/D184)



See Page 61

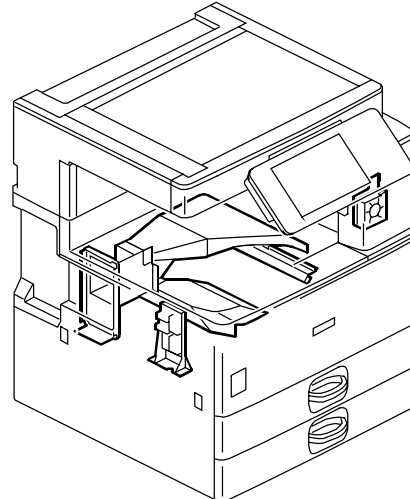
LOCATIONS OF UNITS

31. Electrical Section 3 (D182/D183/D184)



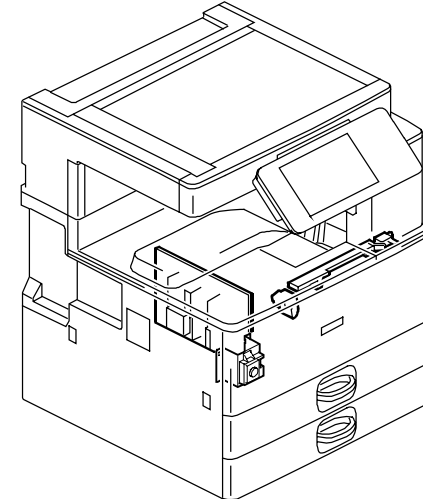
See Page 63

32. Electrical Section 4 (D182/D183/D184)



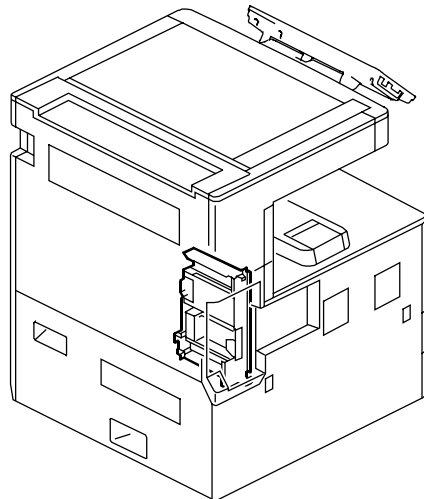
See Page 65

33. Electrical Section 5 (D182/D183/D184)



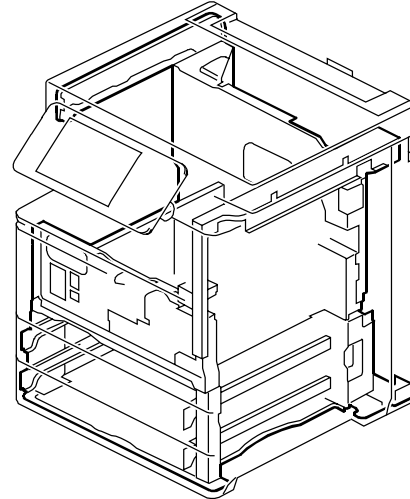
See Page 67

34. Controller Section (D182/D183/D184)



See Page 69

35. Frame Section (D182/D183/D184)

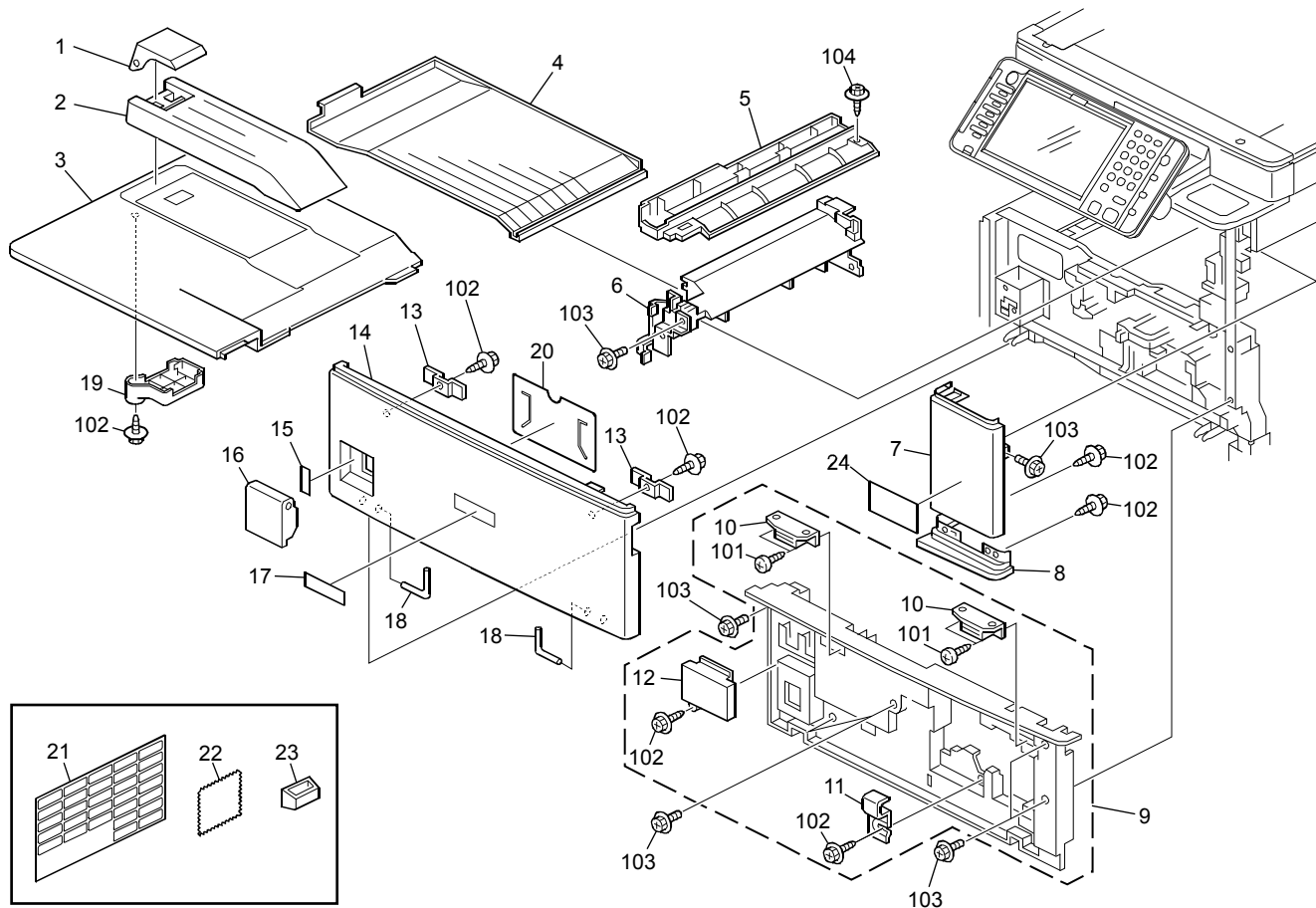


See Page 71

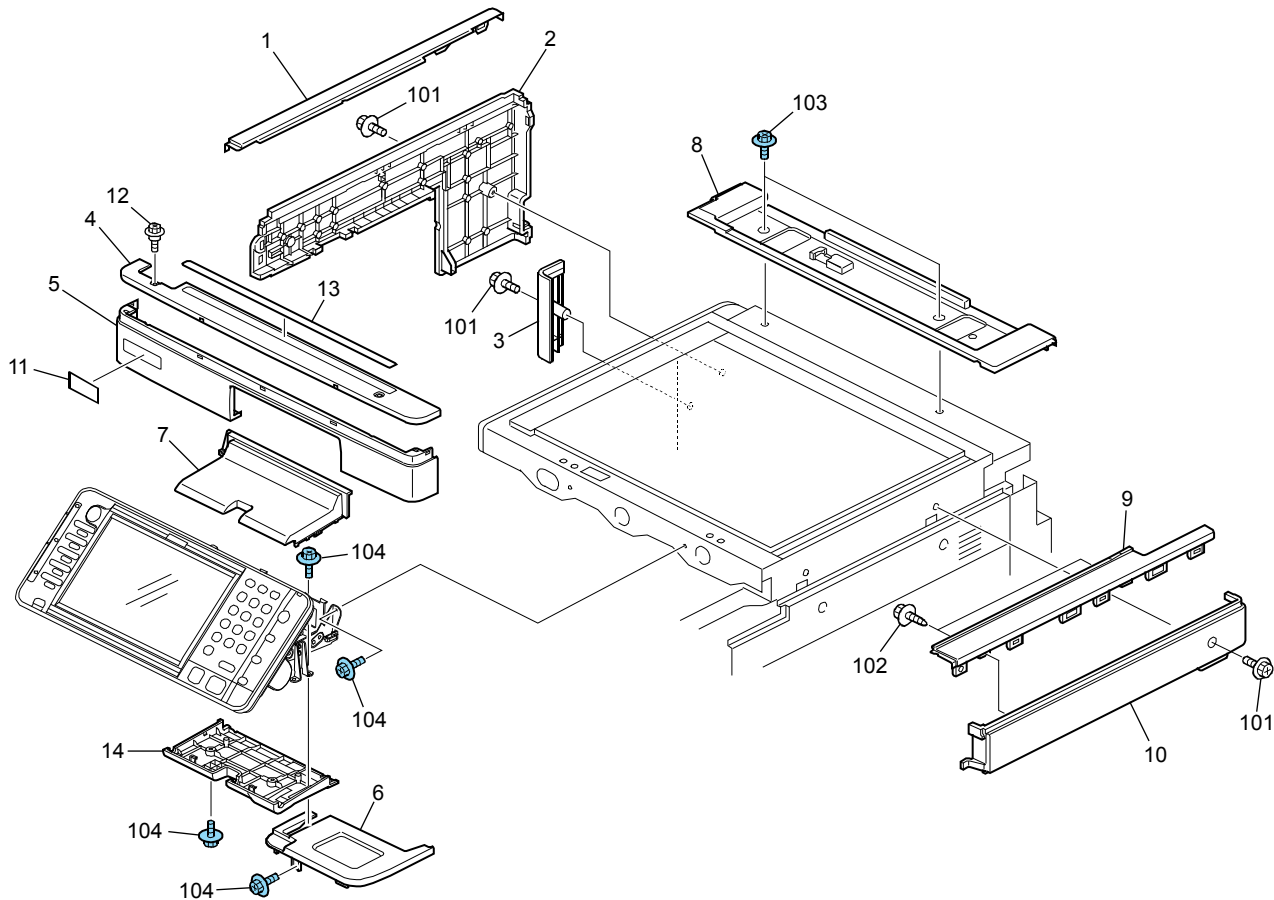
D182/D183/D184
PARTS LOCATION AND LIST

This section shows you the part numbers and descriptions used on this machine.

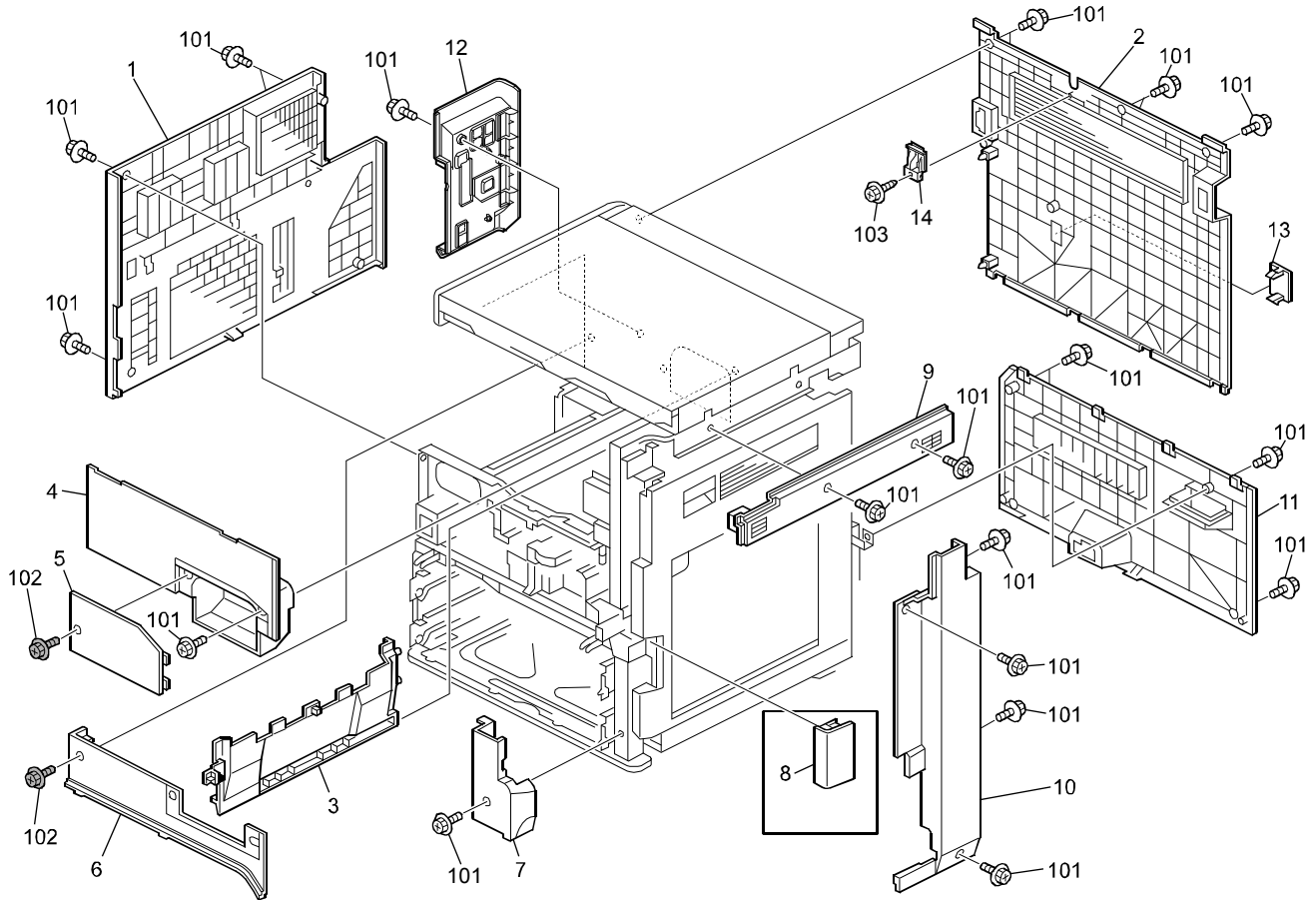
1. Exterior 1 (D182/D183/D184)



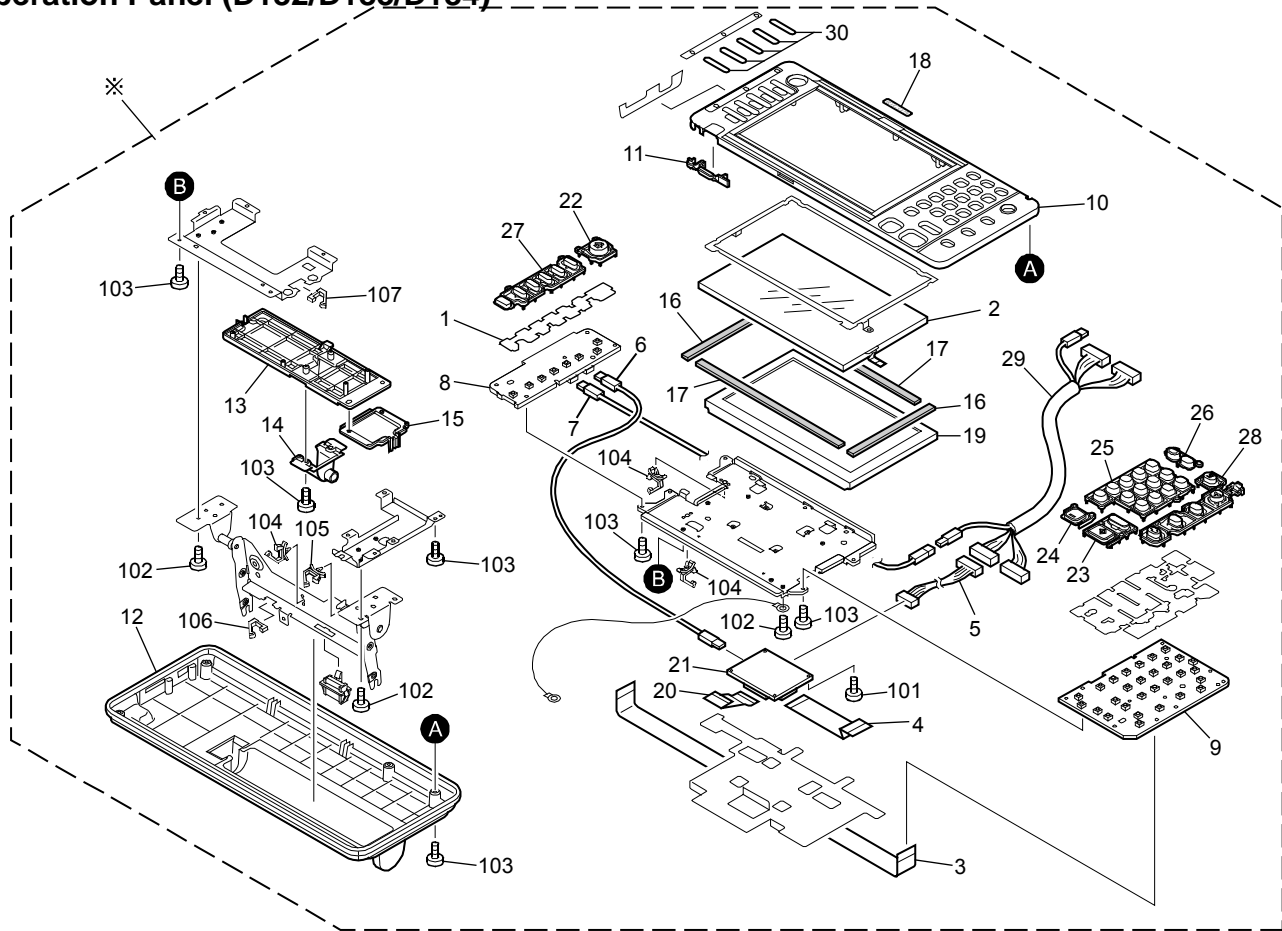
2. Exterior 2 (D182/D183/D184)



3. Exterior 3 (D182/D183/D184)



4. Operation Panel (D182/D183/D184)

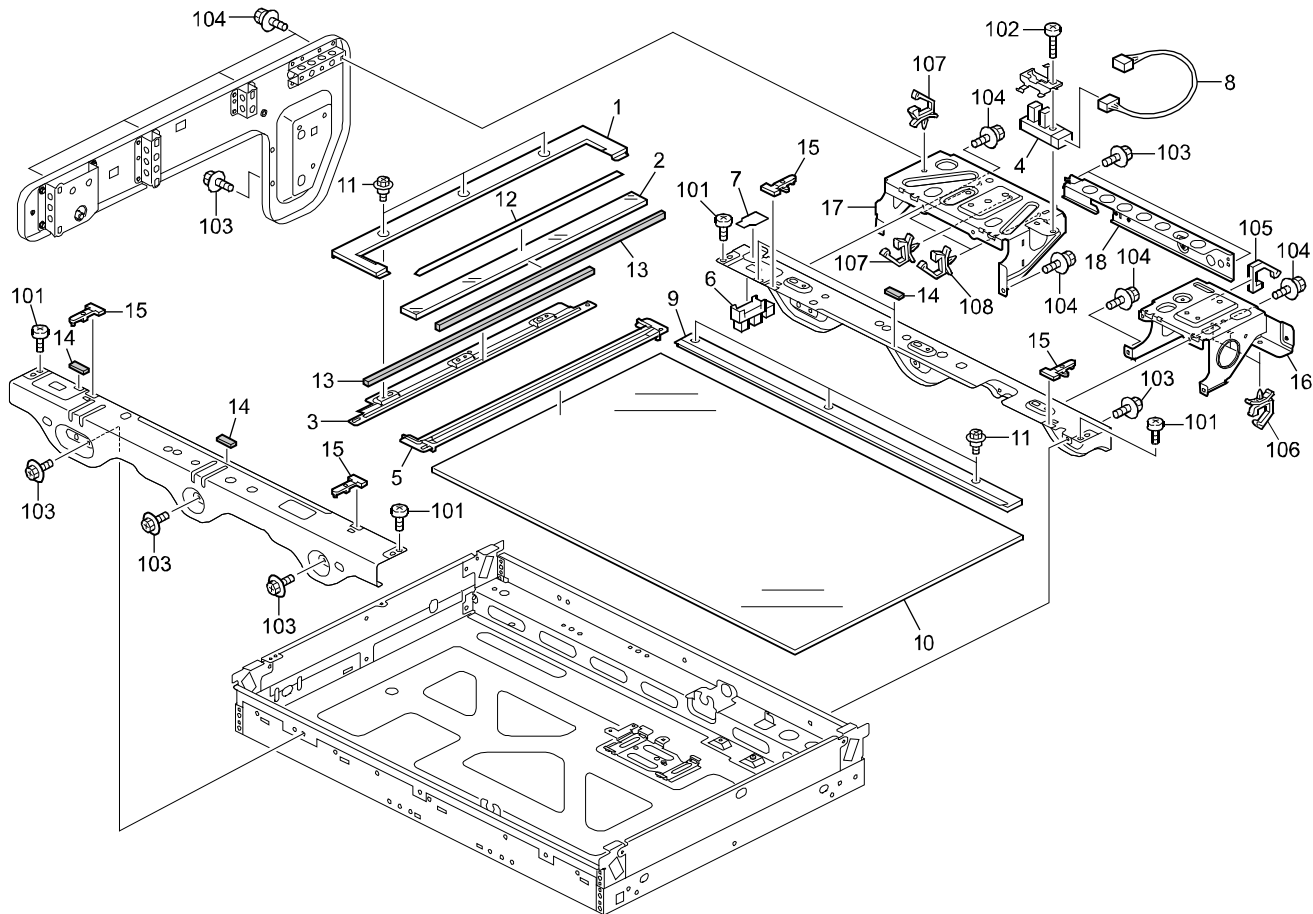


4. Operation Panel (D182/D183/D184)

Index No.	Part No.	Description	Q'ty Per Assembly
*	D1821411	OPERATION SUB-UNIT:OR-C2:NA:ASS'Y (for NA/AA/KOR)	1
*	D1821412	OPERATION SUB-UNIT:OR-C2:EU:ASS'Y (for EU)	1
*	D1821414	OPERATION SUB-UNIT:OR-C2:CHN:ASS'Y (for CHN)	1
*	D1821415	OPERATION SUB-UNIT:OR-C2:TWN:ASS'Y (for TWN)	1
1	D1291528	SHEET:KEYTOP:LEFT	1
2	D1491427	TOUCH PANEL:WVGA-9:MV	1
3	D1491430	CABLE:FFC:OP-L	1
4	D1491431	CABLE:FFC:OP-R	1
5	D1491433	HARNESS:POWER	1
6	D1491434	CABLE:LCDC:USB	1
7	D1491435	CABLE:USB	1
8	D1491478	PCB:OP-L:ASS'Y	1
9	D1491494	PCB:OP-R:ASS'Y	1
10	D1491533	COVER:UPPER:SH:NA (for NA/AA/KOR)	1
10	D1491589	COVER:UPPER:SH:EU:BA (for EU)	1
10	D1491555	COVER:UPPER:SH:CHN (for CHN)	1
10	D1491557	COVER:UPPER:SH:TWN (for TWN)	1
11	D1491511	LENS:FRONT	1
12	D1491512	COVER:REAR:LARGE	1
13	D1491513	COVER:REAR:SMALL:LEFT	1
14	D1491514	COVER:REAR:SMALL:MIDDLE	1
15	D1491515	COVER:REAR:SMALL:RIGHT	1
16	D1491530	SPACER:LCD:A	2
17	D1491531	SPACER:LCD:B	2
18	D1491553	SHEET:LOGO:RIC	1
18	D1201556	SHEET:LOGO:LAN	1
18	D1201557	SHEET:LOGO:GES	1
19	D1821425	LCD:TFT:WVGA-9:LED:AUO	1
20	D1821432	CABLE:FFC:LCD	1
21	D1821455	PCB:LCDC:AR2FT:OR-C2:ASS'Y	1
22	D1291508	KEYTOP:HOME	1
23	D1491504	KEYTOP:START	1
24	D1491505	KEYTOP:STOP	1
25	D1491538	KEYTOP:10KEY:EU (for EU/TWN/CHN)	1

Index No.	Part No.	Description	Q'ty Per Assembly
25	D1491539	KEYTOP:10KEY:AA (for NA/AA/KOR)	1
26	D1491508	KEYTOP:RESET SWITCH	1
27	D1491510	KEYTOP:LEFT	1
28	D1491588	KEYTOP:POWER SOURCE:BA	1
29	D1825250	HARNESS:ORV-C2:OPERATION SUB-UNIT:ASS'Y	1
30	D1491575	SHEET:APPLICATION:MULTI-LANGUAGE:NA(for NA/AA/KOR)	1
30	D1491576	SHEET:APPLICATION:MULTI-LANGUAGE:EU (for EU)	1
30	D1491577	SHEET:APPLICATION:MULTI-LANGUAGE:CHN (for CHN)	1
30	D1491578	SHEET:APPLICATION:MULTI-LANGUAGE:TWN (for TWN)	1
30	D1291568	SHEET:APPLICATION:MULTI-LANGUAGE:BLANK	1
101	03520030N	SCREW:M2X3	
102	03530040N	SCREW:M3X4	
103	04593010N	BINDING HEAD TAPPING SCREW:3X10	
104	11050582	CLAMP:RBWS-0510D-V0	
105	11050653	CLAMP:RLWS-2T V0	
106	11050723	CLAMPS:WES-0507	
107	11050724	CLAMPS:WES-1210	

5. Scanner Section 1 (D182/D183/D184)



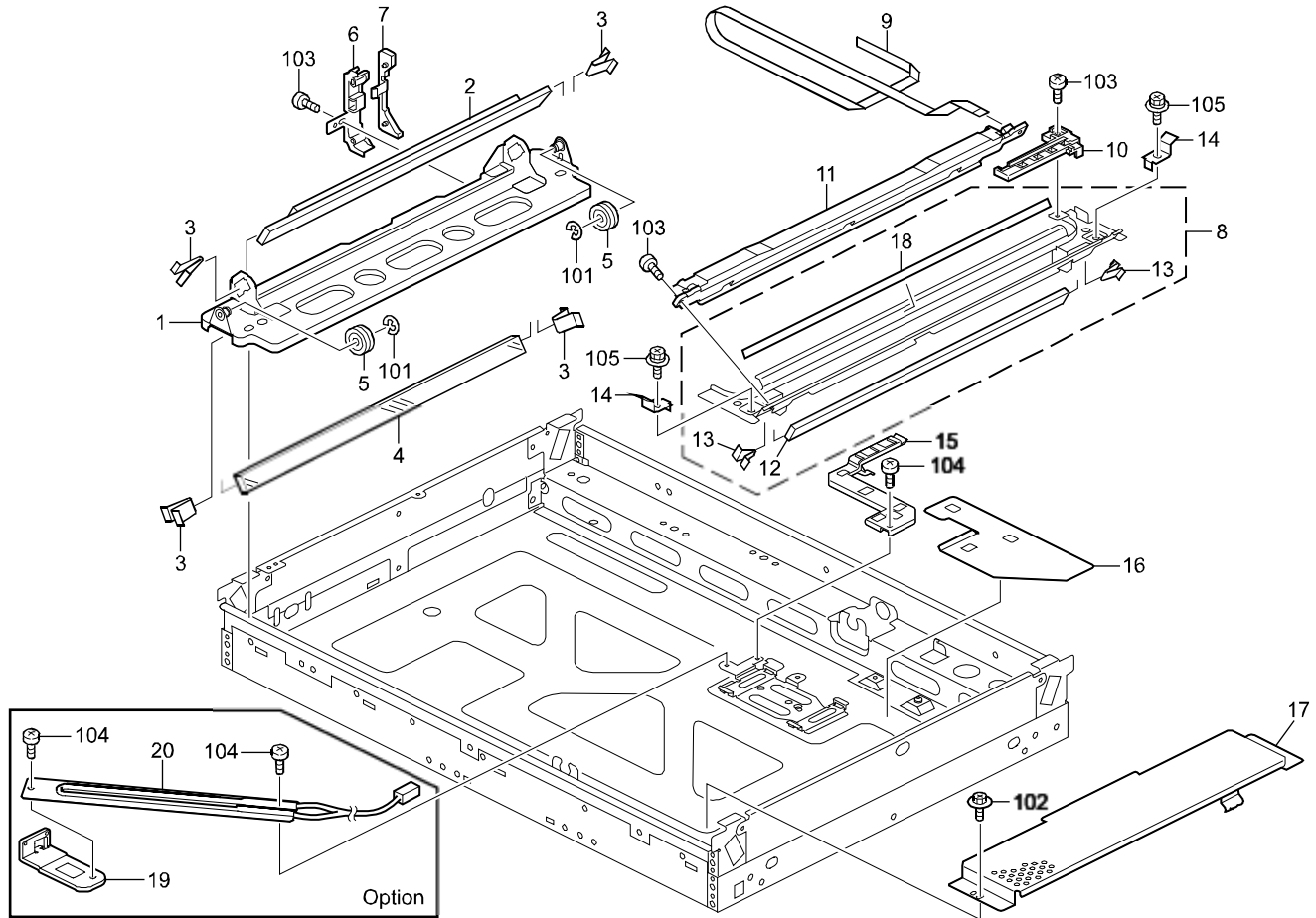
5. Scanner Section 1 (D182/D183/D184)

Rev. 02/05/2014

Index No.	Part No.	Description	Q'ty Per Assembly
1	D1491800	COVER:SHEET THROUGH:DOCUMENT FEEDER	1
2	D1471805	EXPOSURE GLASS:DOCUMENT FEEDER:APPLY	1
3	D1491801	BRACKET:SCALE:LEFT	1
4	AW020207	PHOTOINTERRUPTOR:FLAT:PICH2MM:M4	1
5	D1491792	SCALE:LEFT:DOM/EU:ASS'Y (for EU/AA/KOR/TWN/CHN)	1
5	D1491793	SCALE:LEFT:NA:ASS'Y (for NA)	1
6	AW020214	PHOTOINTERRUPTOR:LG248NL1A	1
7	G5701225	SHIELDING PLATE:HOME POSITION SENSOR	1
8	D1495202	HARNESS:SIO:SENSOR	1
9	D1491799	SCALE:REAR:PRINTING	1
10	A2501752	EXPOSURE GLASS	1
11	AA143537	SCREW:M3:BLACK	6
12	D1471750	SHEET:GAP:ASS'Y	1
13	D1491798	SEAL:SHEET THROUGH:DOCUMENT FEEDER	2
14	D1491804	HOLDER:EXPOSURE GLASS:SCANNER	4
15	D1491805	HOLDER:EXPOSURE GLASS	4
16	D1821815	BRACKET:DOCUMENT FEEDER:RIGHT	1
17	D1821816	BRACKET:DOCUMENT FEEDER:LEFT	1
18	D1821818	BRACKET:DOCUMENT FEEDER:CABLE	1

Index No.	Part No.	Description	Q'ty Per Assembly
101	03530030N	SCREW:M3X3	
102	03140120N	PAN HEAD SCREW:M4X12	
103	03603006N	SCREW:M3X6	
104	08046123	HEXAGONAL BOLT:W/WASHER:M3X8	
105	11050724	CLAMPS:WES-1210	
106	11050488	CLAMP:LWS-1211Z	
107	11050758	CLAMP:LWSM-0306A	
108	11050759	CLAMP:LWSM-0605A	

6. Scanner Section 2 (D182/D183/D184)

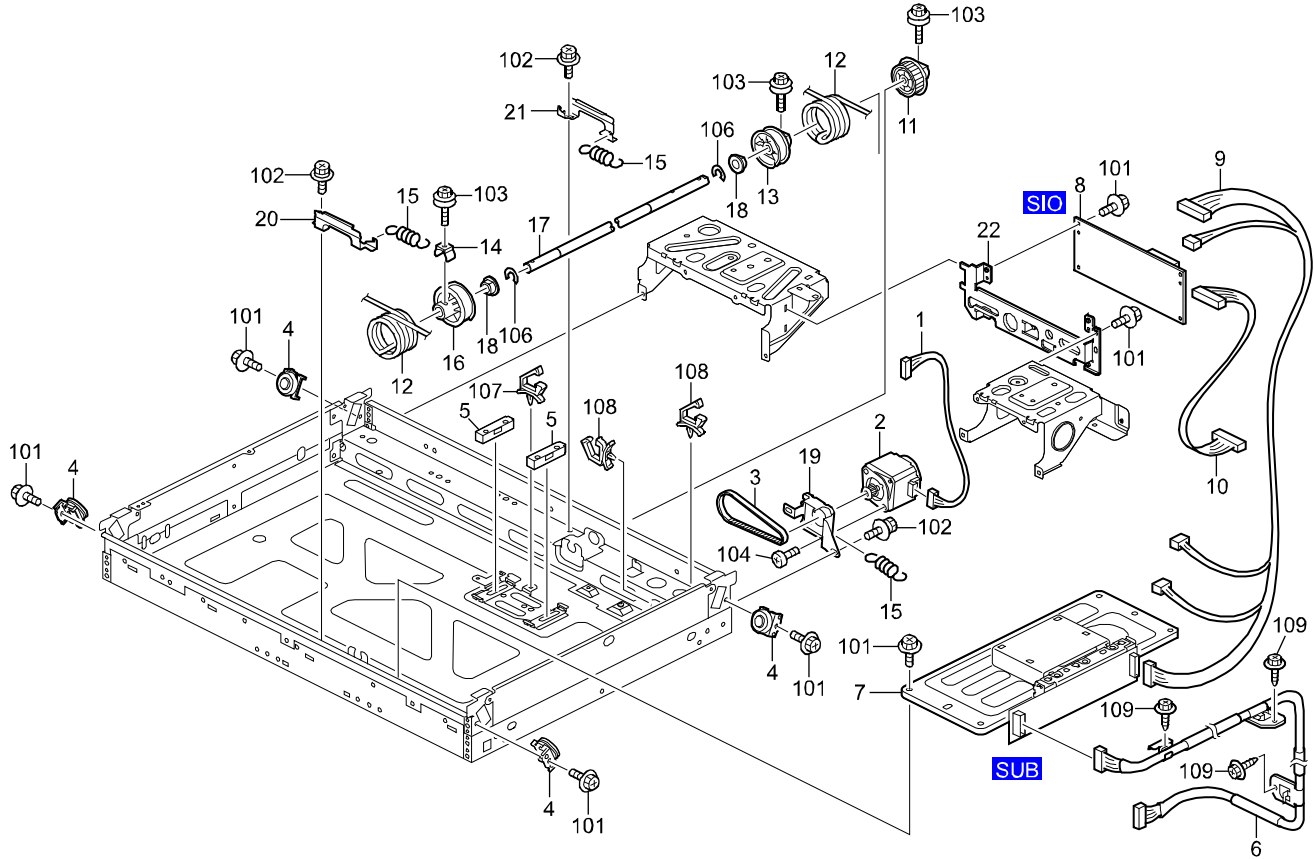


6. Scanner Section 2 (D182/D183/D184)

Index No.	Part No.	Description	Q'ty Per Assembly
1	D1491742	CARRIAGE:NO.2:SUB-ASS'Y	1
2	D1491756	MIRROR:NO.2:CONCAVE:ASS'Y	1
3	G4042810	SPRING PLATE:MIRROR:NO.2	4
4	D1491757	MIRROR:NO.3:CONVEX:ASS'Y	1
5	B2381807	PULLEY	2
6	D1491754	GUIDE:FFC:CARRIAGE:NO.2	1
7	D1491755	COVER:FFC:CARRIAGE:NO.2	1
8	D1491730	CARRIAGE:NO.1:ASS'Y	1
9	D1495207	HARNESS:FFC:LED	1
10	D1491728	GUIDE:HARNESS:LED-B	1
11	D1491721	ILLUMINATION UNIT:LED-B:ASS'Y	1
12	AC030169	MIRROR:NO.1	1
13	M0261815	CLAMP:MIRROR:NO.1	2
14	D1491726	CLAMP:DRIVE WERE	2
15	D1491693	GUIDE:FFC	1
16	D1491694	PLATE SEAL:APS:HARNESS	1
17	D1491780	INNER COVER:PEEN	1
18	D1491731	REFLECTOR:SCANNER	1
19	D1491835	BRACKET:DEHUMIDIFIER:HEATER	1
20	B2291687	HEATER:120V:9W	1
20	B2291688	HEATER:230V:9W	1

Index No.	Part No.	Description	Q'ty Per Assembly
101	07200040E	RETAINING RINGS-E:4	
102	03603006N	SCREW:M3X6	
103	03530060N	SCREW:M3X6	
104	03530030N	SCREW:M3X3	
105	08046123	HEXAGONAL BOLT:W/WASHER:M3X8	

7. Scanner Section 3 (D182/D183/D184)

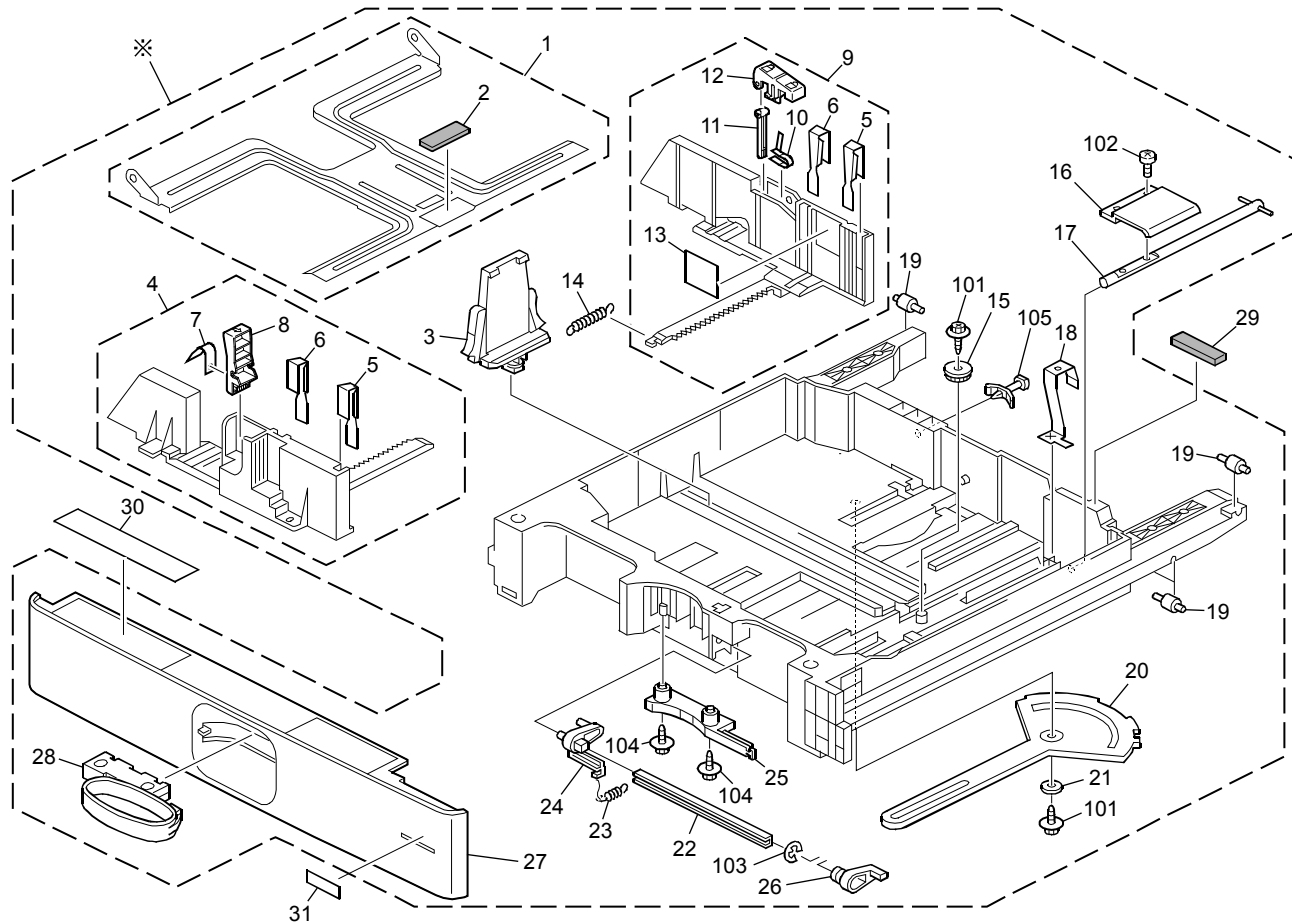


7. Scanner Section 3 (D182/D183/D184)

Index No.	Part No.	Description	Q'ty Per Assembly
1	D1595304	HARNESS:SIO:STM	1
2	D1491703	DC STEPPER MOTOR:PRESS FIT	1
3	D1491706	SYNCHRONOUS BELT:138ST1.5-4.0	1
4	B2381806	PULLEY:IDLER	4
5	AW010155	ORIGINAL SENSOR:66MM:3.3V	2
6	D1825221	INTERFACE CABLE:SCANNER:LVDS:ASS'Y	1
7	D1491771	LENS:HOLDER:ASS'Y	1
8	D1495138	PCB:SIO	1
9	D1495206	HARNESS:SIO:SCANNER UNIT	1
10	D1825205	HARNESS:SIO:IMAGE PROCESSING UNIT	1
11	D1491710	TIMING PULLEY:62	1
12	D1491714	DRIVE WERE:DIA1	2
13	D1491717	PULLEY:DRIVE WERE:REAR	1
14	D0291749	PULLEY:PROTECTION	1
15	D1491709	TENSION SPRING:TENSION:11.3N:30MM	3
16	D1491715	PULLEY:DRIVE WERE:FRONT	1
17	D1491711	SHAFT:SCANNER:DRIVE	1
18	AA082144	PLAIN SHAFT BEARING:DIA8XDIA12X7	3
19	D1491705	BRACKET:DC STEPPER MOTOR	1
20	D1491719	BRACKET:TENSION:FRONT	1
21	D1491718	BRACKET:TENSION:REAR	1
22	D1491812	BRACKET:SIO:PEEN	1

Index No.	Part No.	Description	Q'ty Per Assembly
101	03603006N	SCREW:M3X6	
102	08046123	HEXAGONAL BOLT:W/WASHER:M3X8	
103	08025312	TAPPING SCREW:WASHER:3X10	
104	03130060N	PAN HEAD SCREW:M3X6	
105	03530060N	SCREW:M3X6	
106	08050106	RETAINING RINGS-E:SILENCER:DIA6	
107	11050758	CLAMP:LWSM-0306A	
108	11050762	CLAMP:LWS-0711A	
109	04513006N	TAPPING SCREW:3X6	

8. Paper Tray Section (D182/D183/D184)

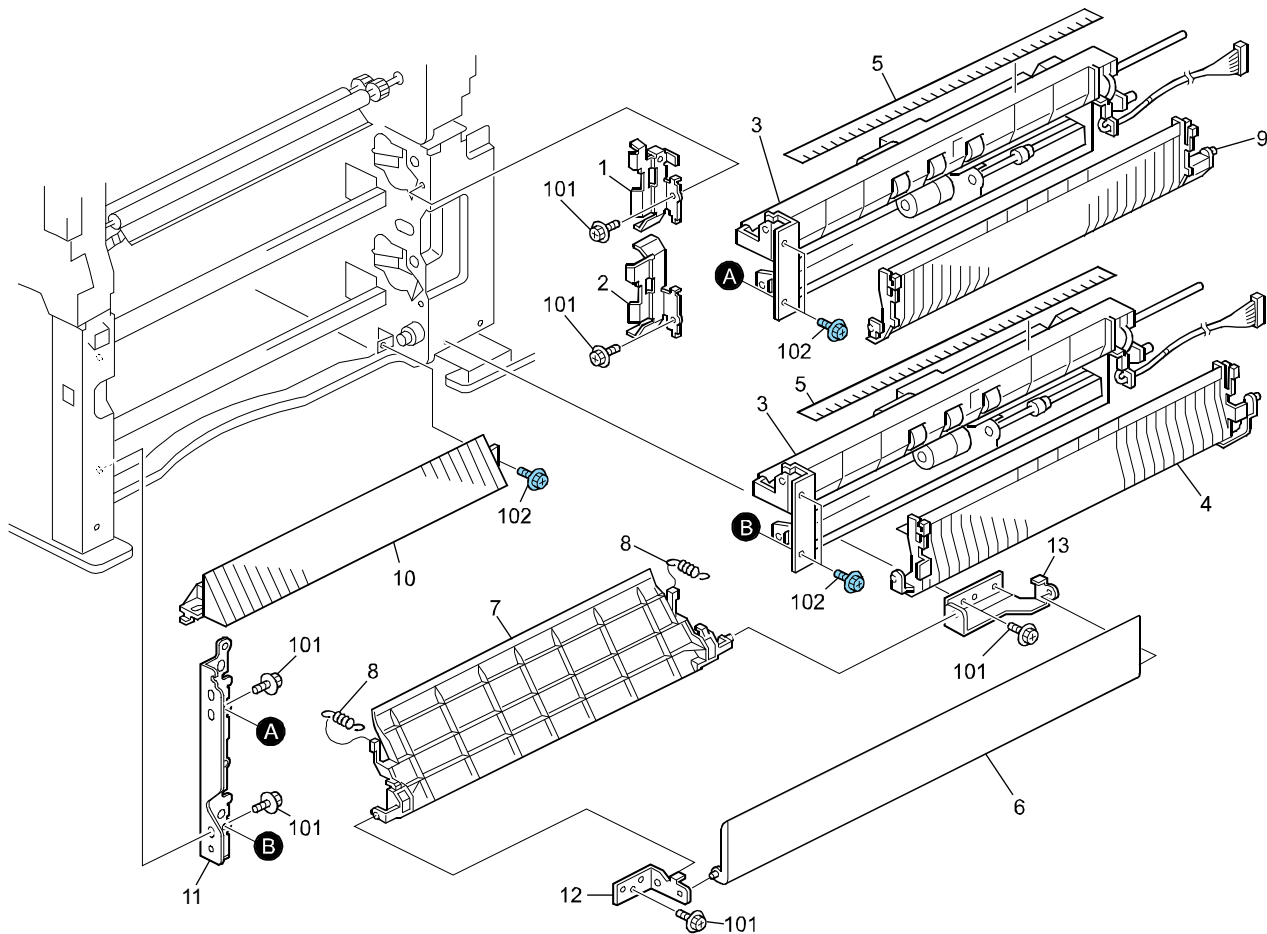


8. Paper Tray Section (D182/D183/D184)

Index No.	Part No.	Description	Q'ty Per Assembly
*	D1202850	PAPER TRAY:NO.1:ASS'Y (for 1st tray)	1
*	D1202900	PAPER TRAY:NO.2:ASS'Y (for 2nd tray)	1
1	D1202940	TRAY BOTTOM PLATE:NO.1:ASS'Y (for 1st tray)	1
1	D0892940	TRAY BOTTOM PLATE:ASS'Y (for 2nd tray)	1
2	AF033010	PAD	1
3	D1202832	END FENCE:ASS'Y	1
4	D1202920	SIDE FENCE:FRONT:ASS'Y (for 1st tray)	1
4	D1202926	SIDE FENCE:FRONT:ASS'Y (for 2nd tray)	1
5	B2232935	PLATE:SIDE FENCE:RIGHT	2
6	B2232934	PLATE:SIDE FENCE	2
7	B0042923	SPRING PLATE:STOPPER:FRONT	1
8	D1202924	LEVER:STOPPER:FRONT	1
9	D1202930	SIDE FENCE:REAR:ASS'Y (for 1st tray)	1
9	D1202933	SIDE FENCE:REAR:ASS'Y (for 2nd tray)	1
10	A2672857	SPRING PLATE:SIDE FENCE:POSITIONING	1
11	A2672859	STOPPER:POSITIONING	1
12	D1202864	LEVER:STOPPER:POSITIONING	1
13	D1202875	DECAL:SIDE FENCE:REAR	1
14	AA061003	TENSION SPRING:SIDE FENCE:REAR	1
15	B2232936	GEAR:16Z	1
16	B2232918	LEVER:RISE	1
17	B2232865	SHAFT:RISE:NO.1:ASS'Y	1
18	B2232919	GROUND PLATE:PAPER TRAY:NO.2	1
19	A2322987	ROLLER:PAPER TRAY	4
20	B2232910	LINK:PAPER SIZE SENSOR	1
21	B2232911	SPACER	1
22	D0292863	SHAFT:RELEASE:PAPER TRAY	1
23	AA061014	TENSION SPRING:GRIP	1
24	D1202862	LEVER:RELEASE:PAPER TRAY:INNER	1
25	D1202861	HOLDER:GRIP:PAPER TRAY	1
26	B2232868	LEVER:RELEASE:PAPER TRAY:OUTER	1
27	D1202946	COVER:PAPER TRAY	1
28	D1202860	GRIP:PAPER TRAY	1
29	D0892849	SEAL:TRAY:NO.1	1

Index No.	Part No.	Description	Q'ty Per Assembly
30	D1202870	DECAL:PAPER SET DIRECTION:TRAY:LEFT	1
31	D1202872	DECAL:PAPER TRAY:NO.1 (for 1st tray)	1
31	D1202873	DECAL:PAPER TRAY:NO.2 (for 2nd tray)	1
101	04504008N	TAPPING SCREW:4X8	
102	04533008N	BINDING SELF TAPPING SCREW:3X8	
103	07200080E	RETAINING RINGS-E:8	
104	08025322	HEXAGON HEAD TAPPING SCREW:ES:3X12	
105	11050415	MM:V-0:WHITE	

9. Paper Feed Section 1 (D182/D183/D184)

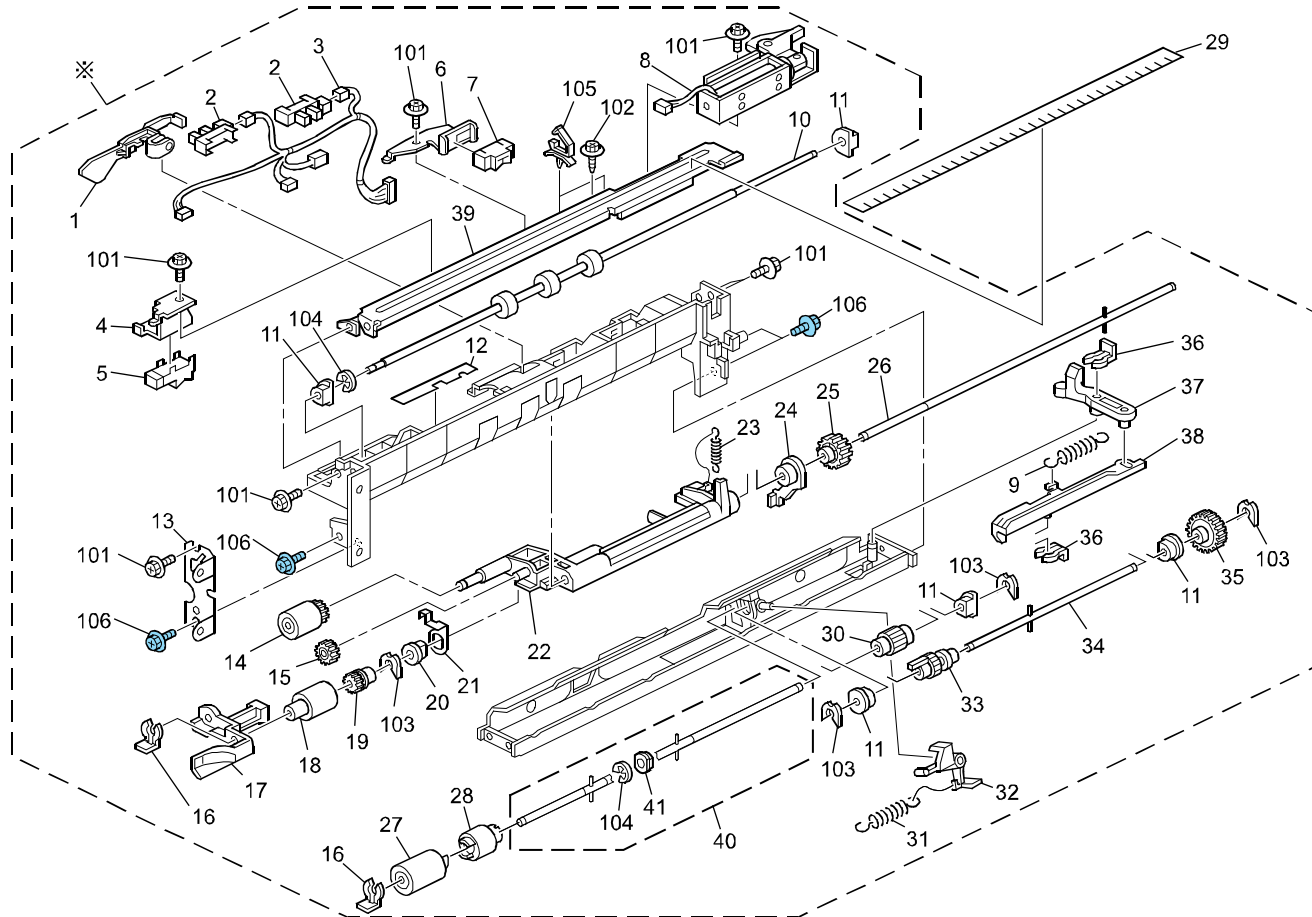


9. Paper Feed Section 1 (D182/D183/D184)

Index No.	Part No.	Description	Q'ty Per Assembly
1	D1202847	COVER:HARNES:UPPER	1
2	D1202848	COVER:HARNES:LOWER	1
3	D1822700	PAPER FEED UNIT:ASSY	2
4	D1202963	GUIDE PLATE:SWIVEL:NO.2	1
5	D1202618	DISCHARGE BRUSH:PAPER FEED UNIT:UPPER	2
6	D1202967	COVER:DUPLX:LOWER	1
7	D1202962	GUIDE PLATE:VERTICAL TRANSPORT:RIGHT	1
8	B2232665	SPRING:COVER:MANUAL FEED	2
9	D0092836	GUIDE PLATE:SWIVEL	1
10	D1202961	GUIDE PLATE:VERTICAL TRANSPORT:LEFT	1
11	D1201119	BRACKET:PAPER FEED UNIT	1
12	D1205698	BRACKET:COVER:FRONT	1
13	D1205699	BRACKET:COVER:REAR	1

Index No.	Part No.	Description	Q'ty Per Assembly
101	04513006N	TAPPING SCREW:3X6	
102	04543008Q	TAPPING SCREW:3X8	

10. Paper Feed Section 2 (D182/D183/D184)

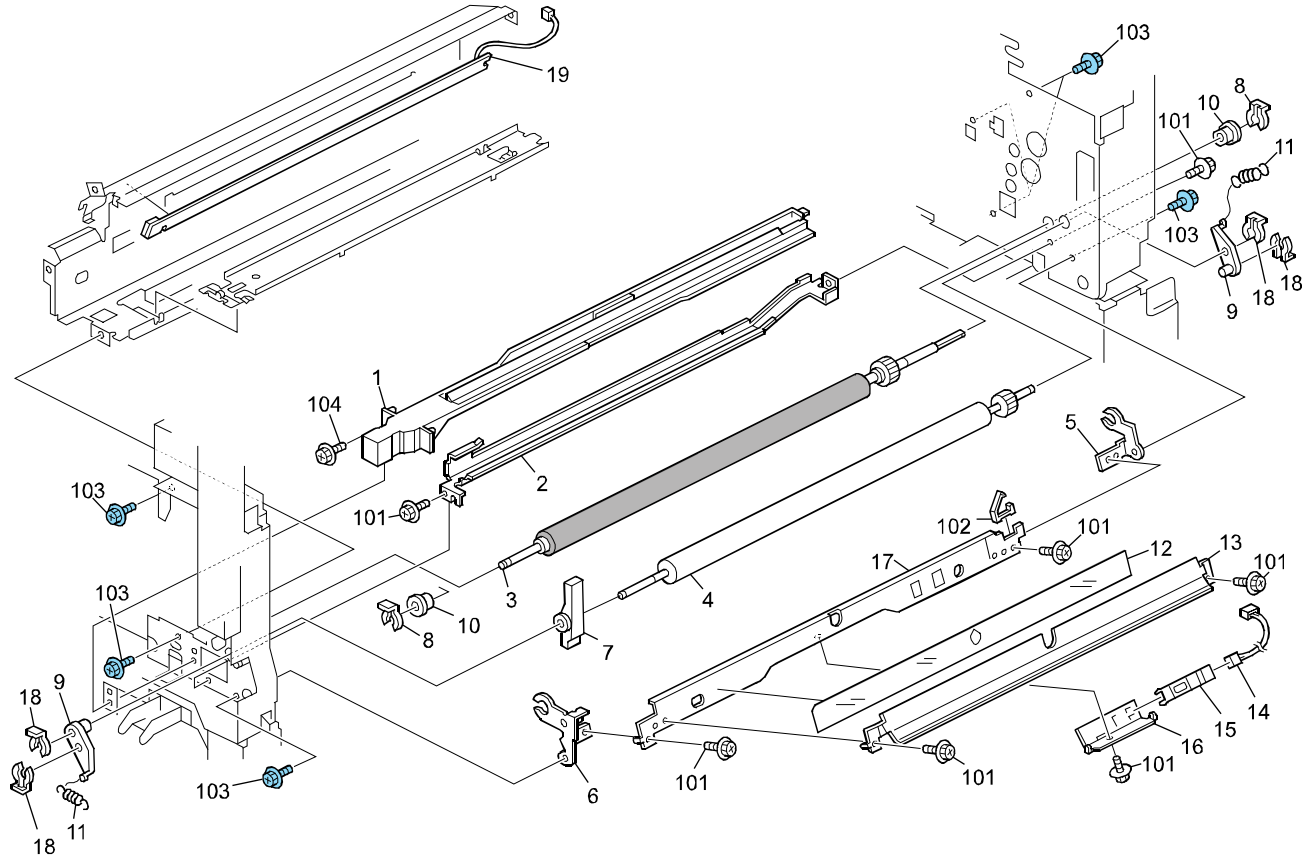


10. Paper Feed Section 2 (D182/D183/D184)

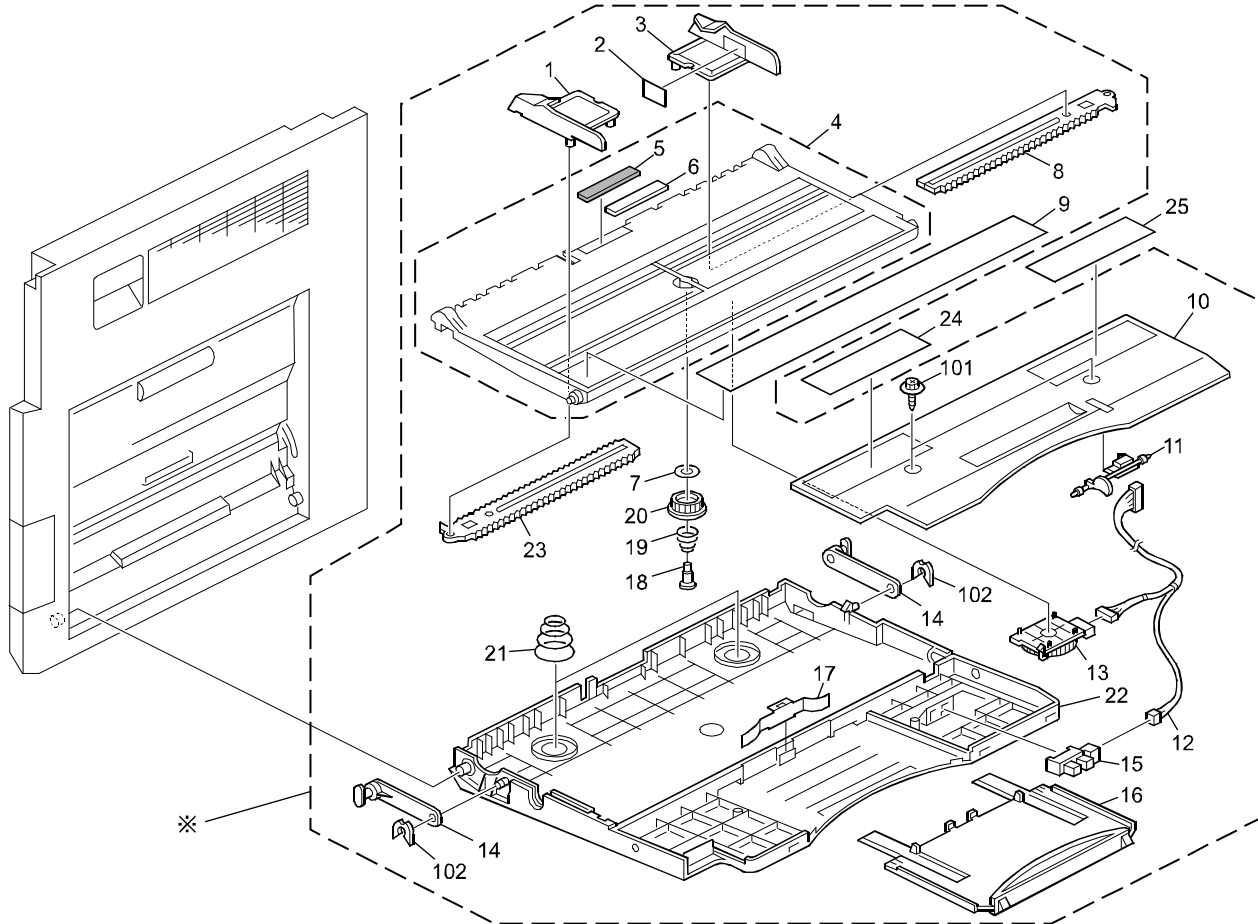
Index No.	Part No.	Description	Q'ty Per Assembly
*	D1822700	PAPER FEED UNIT:ASS'Y	2
1	D0892767	FEELER:PAPER END	2
2	AW020204	PHOTOINTERRUPTOR:LGR102	5
3	D1825353	HARNESS:PAPER FEED UNIT	2
4	D0892778	BRACKET:SENSOR:FEED	2
5	AW010128	REFLECTION PHOTO SENSOR:KUA0055A	2
6	D0892781	BRACKET:SENSOR	2
7	AW010122	REFLECTION PHOTO SENSOR:PAPER FEED	2
8	B2232780	DC SOLENOID:PICKUP:ASS'Y	2
9	AA062259	SPRING:RELEASE	2
10	AF020764	TRANSPORT ROLLER:DRIVE	2
11	AA082152	BUSHING:DIA6	10
12	B2232772	SHEET:HARNESS:PAPER FEED UNIT	2
13	B2232786	GROUND PLATE:FRONT	2
14	AF030090	PAPER FEED ROLLER:PICKUP	2
15	AB011252	GEAR:IDLER:PICKUP	2
16	AA100014	EXTERNAL CIRCLIP:SEPARATE	4
17	D0892829	GUIDE:FEED	2
18	AF031090	PAPER FEED ROLLER:FEED	2
19	AB011218	GEAR:ROLLER CLUTCH	2
20	AA082154	BUSHING:DIA6:DIA10:9	6
21	B2232765	GROUND PLATE:FEED	2
22	D0892761	ARM:PICKUP	2
23	AA060691	SPRING:PRESSURE:PICKUP	2
24	G0652767	LEVER:FEED	2
25	D0892764	GEAR:FEED	2
26	D1202762	SHAFT:FEED:ASS'Y	2
27	AF032090	PAPER FEED ROLLER:SEPARATE	2
28	B0042783	TORQUE LIMITER:40MN· M:DIA18	2
29	D1202618	DISCHARGE BRUSH:PAPER FEED UNIT:UPPER	2
30	AB010157	GEAR:SEPARATE:DRIVEN	2
31	AA060693	SPRING:PRESSURE:SEPARATE	2
32	G0652774	LEVER:PRESSURE:SEPARATE	2
33	AB010156	GEAR:SEPARATE:DRIVE	2

Index No.	Part No.	Description	Q'ty Per Assembly
34	B2232815	SHAFT:SEPARATE:DRIVE:ASS'Y	2
35	D0892819	GEAR:SEPARATOR:INPUT	2
36	52062686	SNAP RING	4
37	G0652776	LEVER:PRESSURE RELEASE	2
38	G0652775	LINK:RELEASE	2
39	B2232776	STAY:FEED	2
40	D1202810	SHAFT:SEPARATE:DRIVEN:ASS'Y	2
41	AA082118	PLAIN SHAFT BEARING:MM6	12
101	04513006N	TAPPING SCREW:3X6	
102	08025319	HEXAGON HEAD TAPPING SCREW:ES:3X8	
103	08050089	RETAINING RINGS-E:SILENCER:DIA4	
104	07200040E	RETAINING RINGS-E:4	
105	11050758	CLAMP:LWSM-0306A	
106	04543006Q	TAPPING SCREW:3X6	

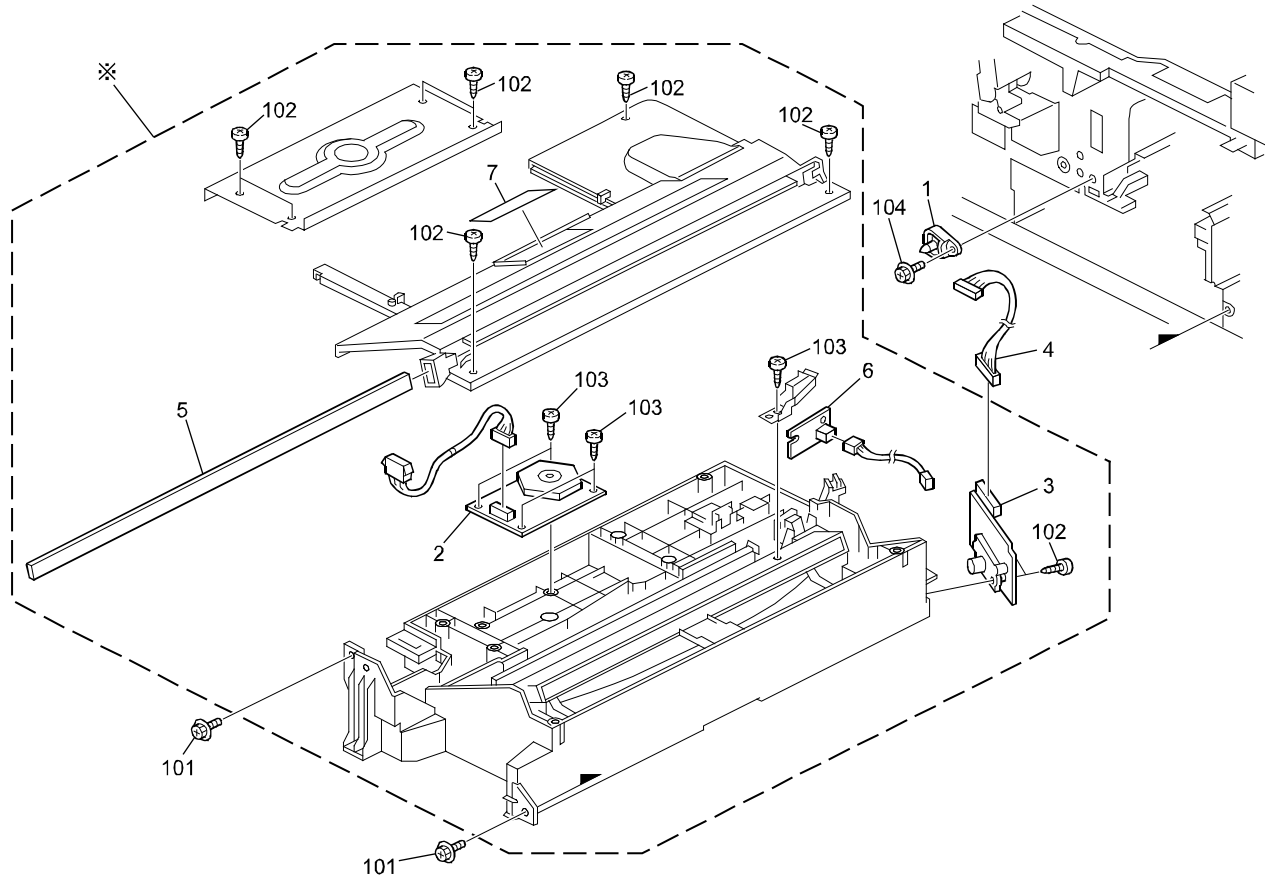
11. Registration Section (D182/D183/D184)



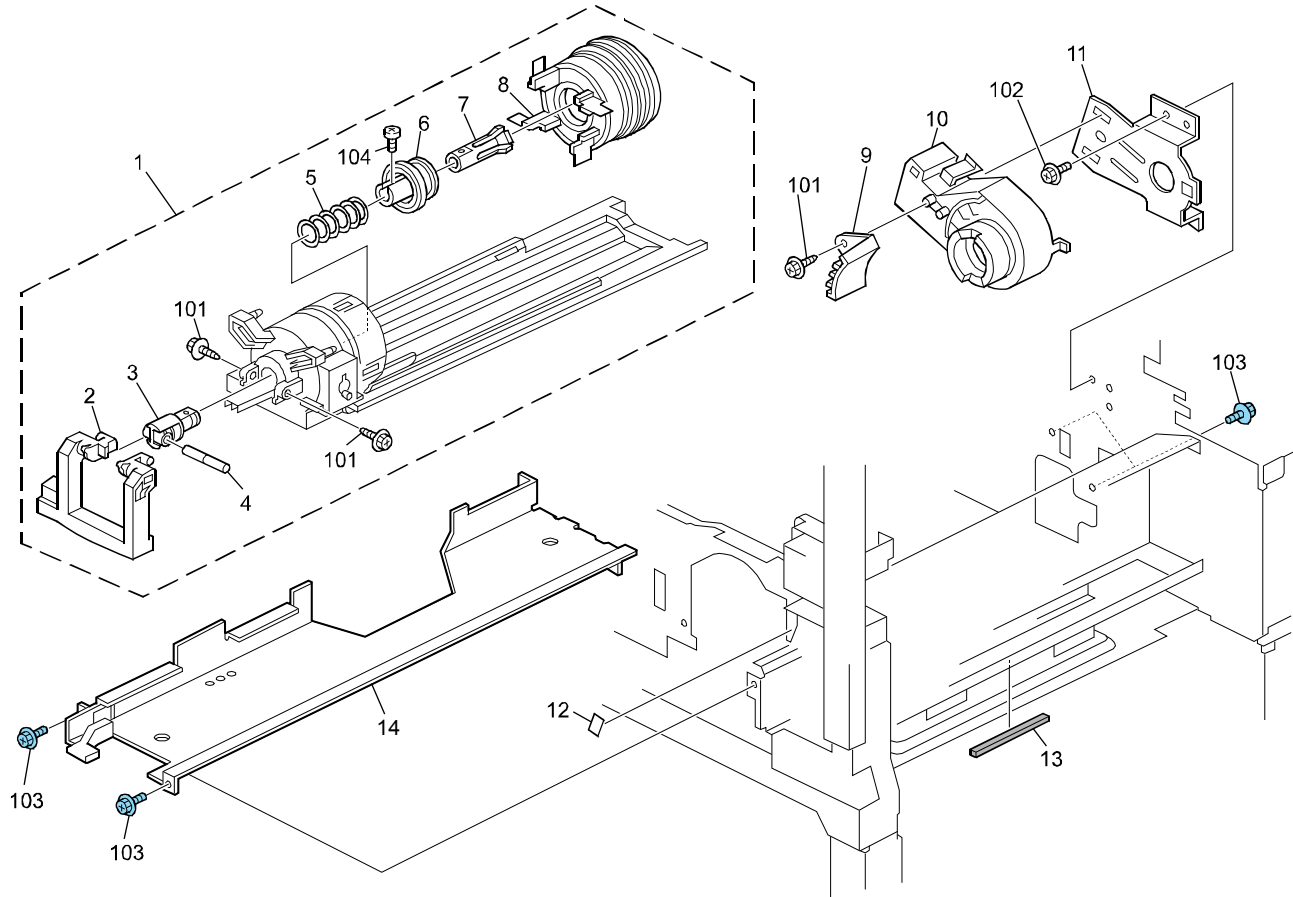
12. By-pass Feed Section (D182/D183/D184)



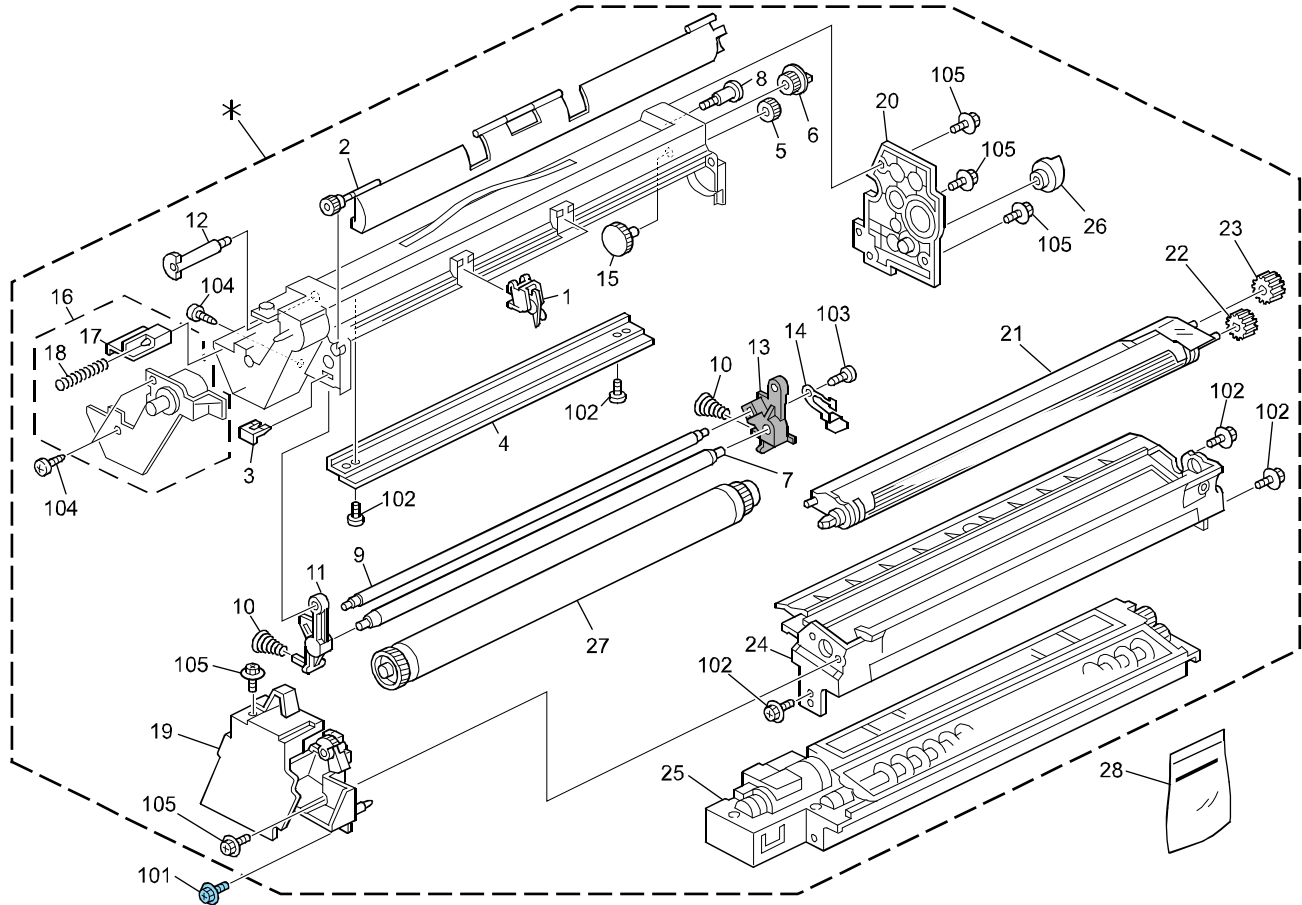
13. LD Section (D182/D183/D184)



14. Toner Supply Unit Section (D182/D183/D184)



15. PCU Section (D182/D183/D184)

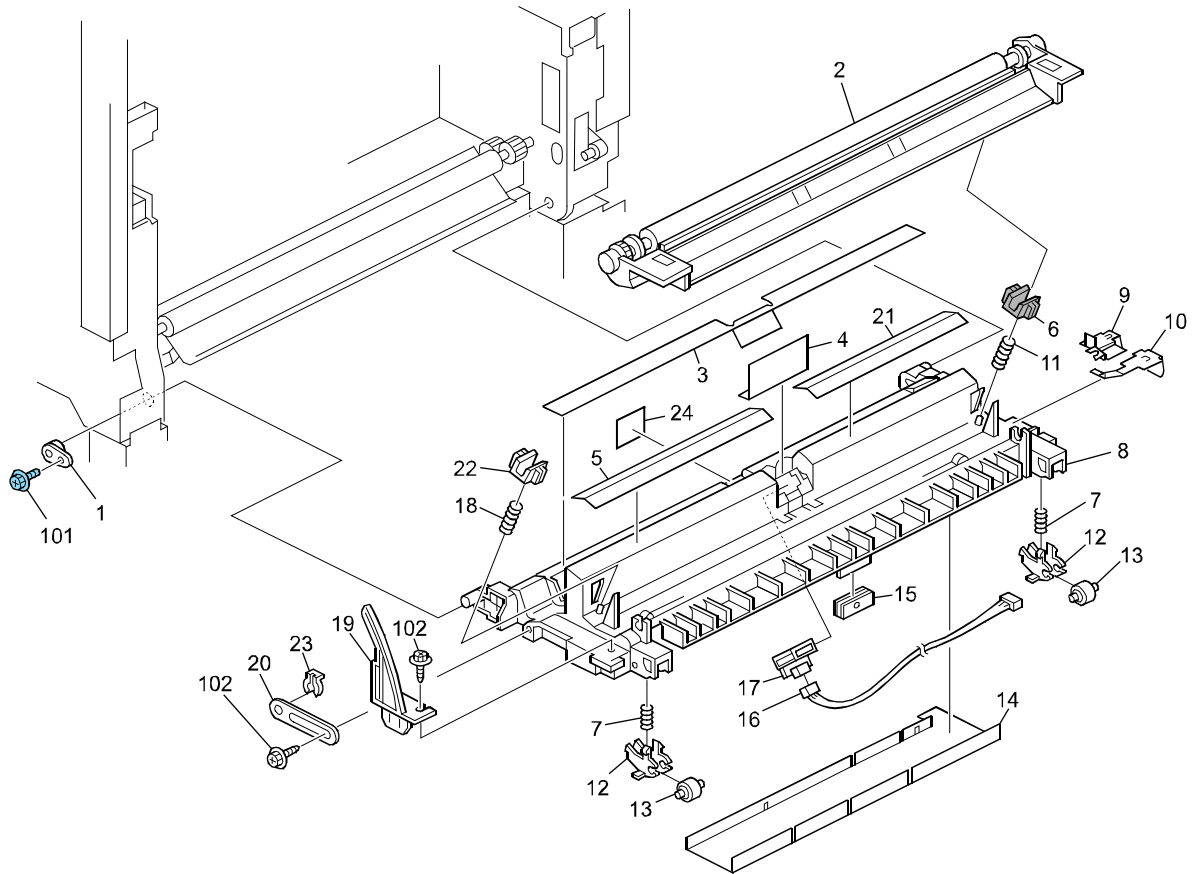


15. PCU Section (D182/D183/D184)

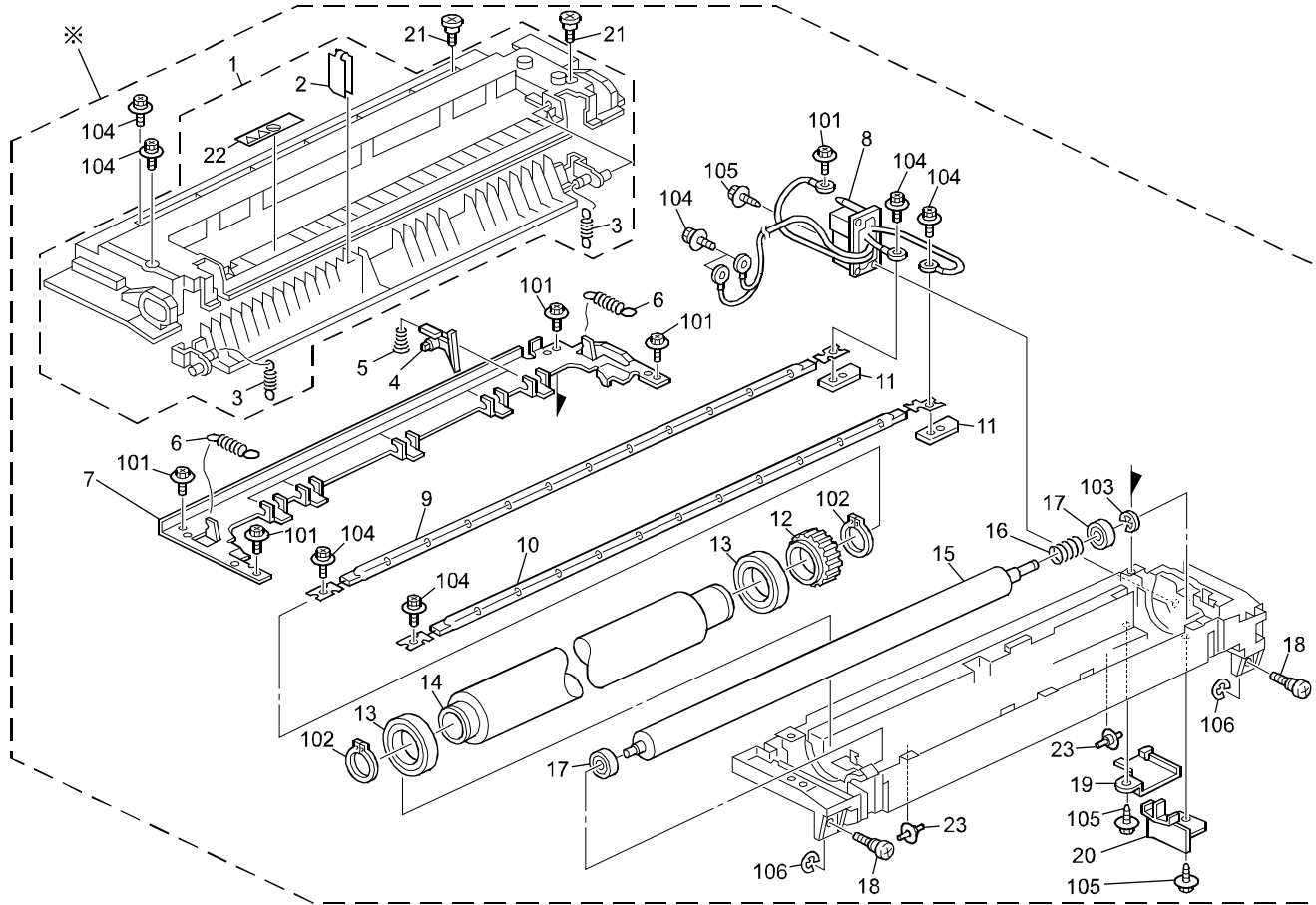
Index No.	Part No.	Description	Q'ty Per Assembly
*	D1203000	PCU:EXP:ASS'Y	1
1	B0392335	PICKOFF PAWL	2
2	B0392343	DRUM SHUTTER	1
3	B0392350	CLIP - OPC DRUM	1
4	AD041114	BLADE:CLEANING	1
5	AB011403	GEAR - 13Z	1
6	AB011402	GEAR - 14Z	1
7	AD027018	ROLLER:CHARGE:A3	1
8	AA143444	STEPPED SCREW	1
9	AD042058	CHARGE CLEANER BRUSH ROLLER	1
10	B0392287	CHARGE ROLLER SPRING	2
11	B0392292	FRONT PRESSURE ARM - CHARGE ROLLER	1
12	B0392293	PIN - FRONT PRESSURE ARM	1
13	D1203174	ARM:PRESSURE:CHARGE:REAR	1
14	D1203175	ELECTRODE PLATE:ROLLER:CHARGE:ASS'Y	1
15	D1203183	GEAR:IDLER:TONER RECYCLING	1
16	D1203180	COVER:PCU:FRONT:ASS'Y	1
17	D1203193	SHUTTER:PCU	1
18	A2673194	COMPRESSION SPRING:SHUTTER:PCU	1
19	D1203210	DRUM STAY:FRONT:ASS'Y	1
20	D1203233	DRUM STAY:REAR:SUB-ASS'Y	1
21	D1203320	DEVELOPMENT ROLLER:ASS'Y	1
22	B0393060	DEVELOPMENT ROLLER GEAR	1
23	B0393062	IDLER GEAR - 16Z	1
24	D1203360	CASE:DEVELOPMENT ROLLER:ASS'Y	1
25	D1203371	CASE:DEVELOPMENT:ASS'Y	1
26	D1203440	JOINT:DEVELOPMENT	1
27	B0399510	OPC DRUM	1
28	B1219640	DEVELOPER TYPE 28 BLACK	1

Index No.	Part No.	Description	Q'ty Per Assembly
101	04543008Q	TAPPING SCREW:3X8	
102	03530060N	BIND SCREW - M3X6	
103	04523006N	BINDING SELF-TAPPING SCREW:3X6	
104	08025319	HEXAGON HEAD TAPPING SCREW:ES:3X8	
105	03603006N	SCREW - M3X6	

16. Transfer/Separation Section (D182/D183/D184)



17.Fusing Section 1 (D182/D183/D184)

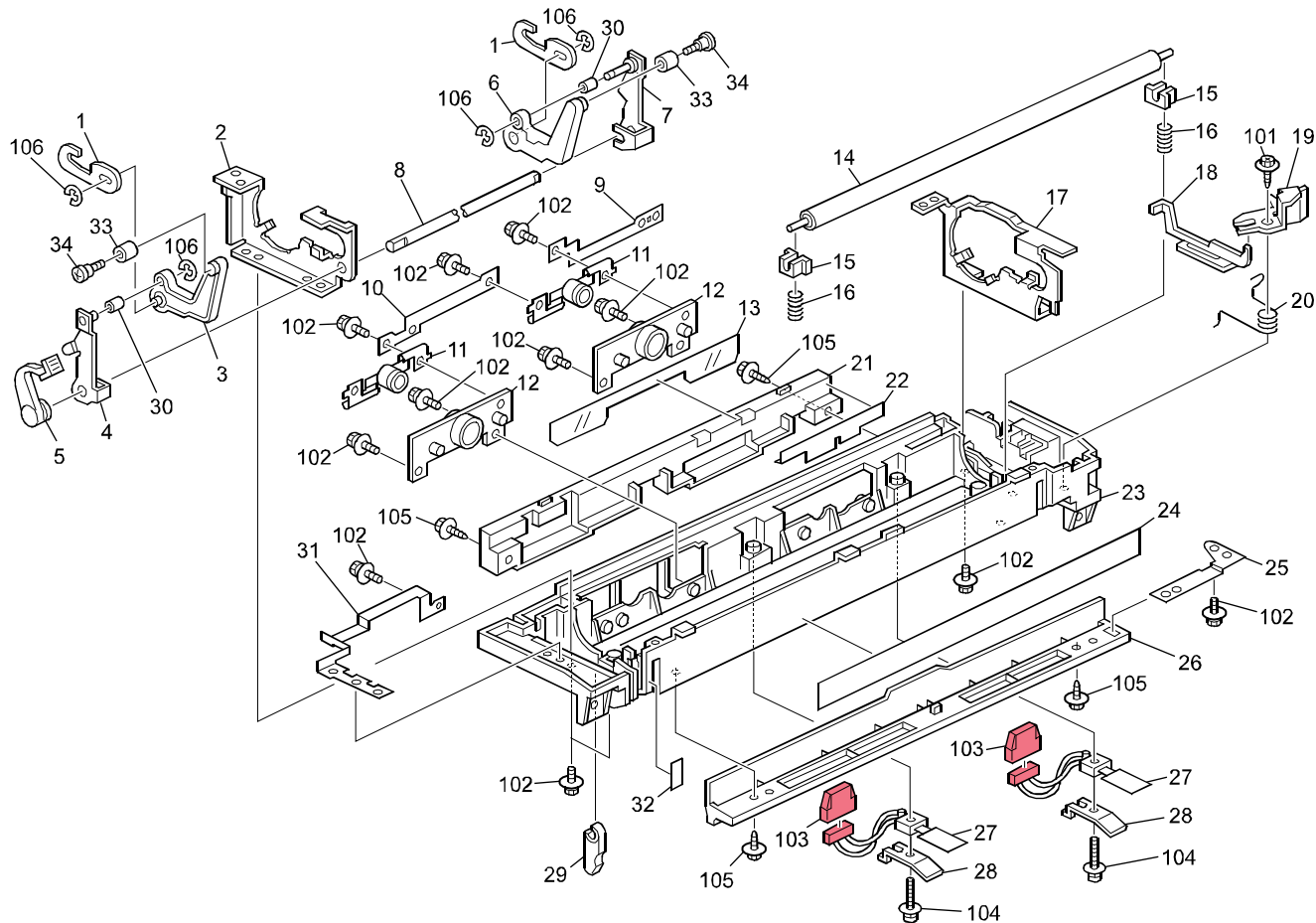


17.Fusing Section 1 (D182/D183/D184)

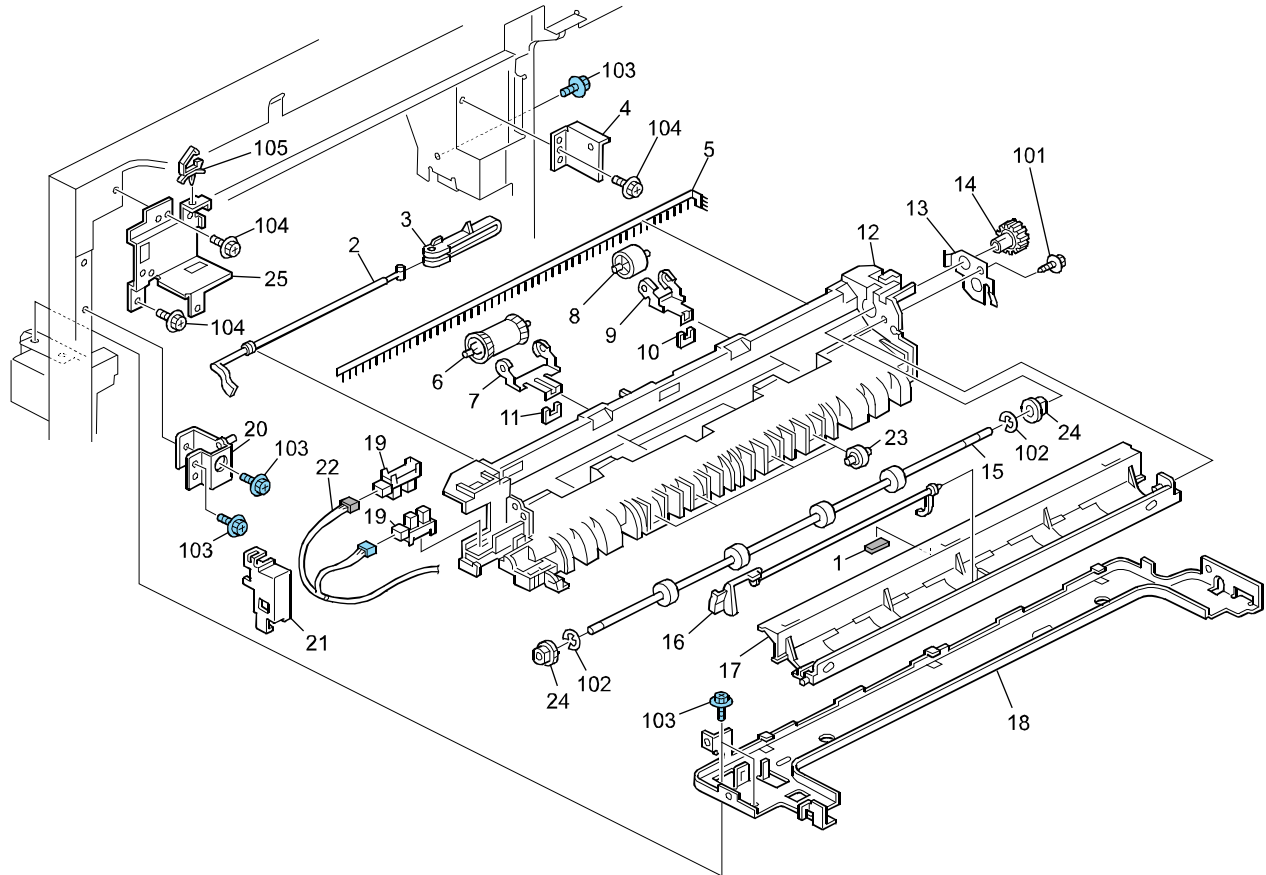
Index No.	Part No.	Description	Q'ty Per Assembly
*	D1204001	FUSING UNIT:NA:ASS'Y (for NA)	1
*	D1204002	FUSING UNIT:EU:ASS'Y (for EU/AA/CHN/KOR)	1
*	D1204003	FUSING UNIT:TWN:ASS'Y (for TWN)	1
1	D1204032	FRAME:FUSING:UPPER:ASS'Y	1
2	D1204181	DECAL:GRIP:GUIDE PLATE:FUSING EXIT	1
3	AA066418	SPRING:OPEN AND CLOSE:GUIDE	2
4	AE044025	PICKOFF PAWL:FUSING	5
5	AA063697	COMPRESSION SPRING:STRIPPER PAWLS	5
6	AA066412	TENSION SPRING:PRESSURE:34.2N	2
7	D1204101	BRACKET:STRIPPER PAWLS	1
8	D1205274	HARNESS:DRAWER:FUSING:120V:NA (for NA/TWN)	1
8	D1205275	HARNESS:DRAWER:FUSING:230V:EU (for EU/AA/CHN/KOR)	1
9	AX440352	HEATER:120V:MAIN (for NA)	1
9	AX440354	HEATER:230V:MAIN (for EU/AA/CHN/KOR)	1
9	AX440356	HEATER:110V:MAIN (for TWN)	1
10	AX440353	HEATER:120V:SUB (for NA)	1
10	AX440355	HEATER:230V:SUB (for EU/AA/CHN/KOR)	1
10	AX440357	HEATER:110V:SUB (for TWN)	1
11	D1204090	TERMINAL:HEATER	2
12	AB011400	GEAR:HOT ROLLER	1
13	G0524618	BALL BEARING:30X42X7	2
14	AE011128	HOT ROLLER:DIA40:T0.4	1
15	AE020161	PRESSURE ROLLER:MM27	1
16	AA063698	SPRING:FLANGE:PRESSURE ROLLER	1
17	AE030030	BALL BEARING:8*19*6	2
18	D1204161	KNOB SCREW:FIX:FUSING	2
19	D1204077	GUIDE:HARNESS:PLATE	1
20	D1204071	STOPPER:EXTERNAL CIRCLIP	1
21	AA143219	STEPPED SCREW	2
22	D1204184	DECAL:H-TEMP WARNING:SMALL	1
23	A2322374	GUIDE:PAPER:RAIL:PCU	2

Index No.	Part No.	Description	Q'ty Per Assembly
101	03603006N	SCREW:M3X6	
102	07250300E	RETAINING RINGS-C:30	
103	07200060E	RETAINING RINGS-E:6	
104	08046127	HEXAGONAL BOLT:DOUBLE SCREW:M3X8	
105	08025320	HEXAGON HEAD TAPPING SCREW:ES:3X10	
106	07200030E	RETAINING RINGS-E:3	

18.Fusing Section 2 (D182/D183/D184)



19. Paper Exit Section (D182/D183/D184)

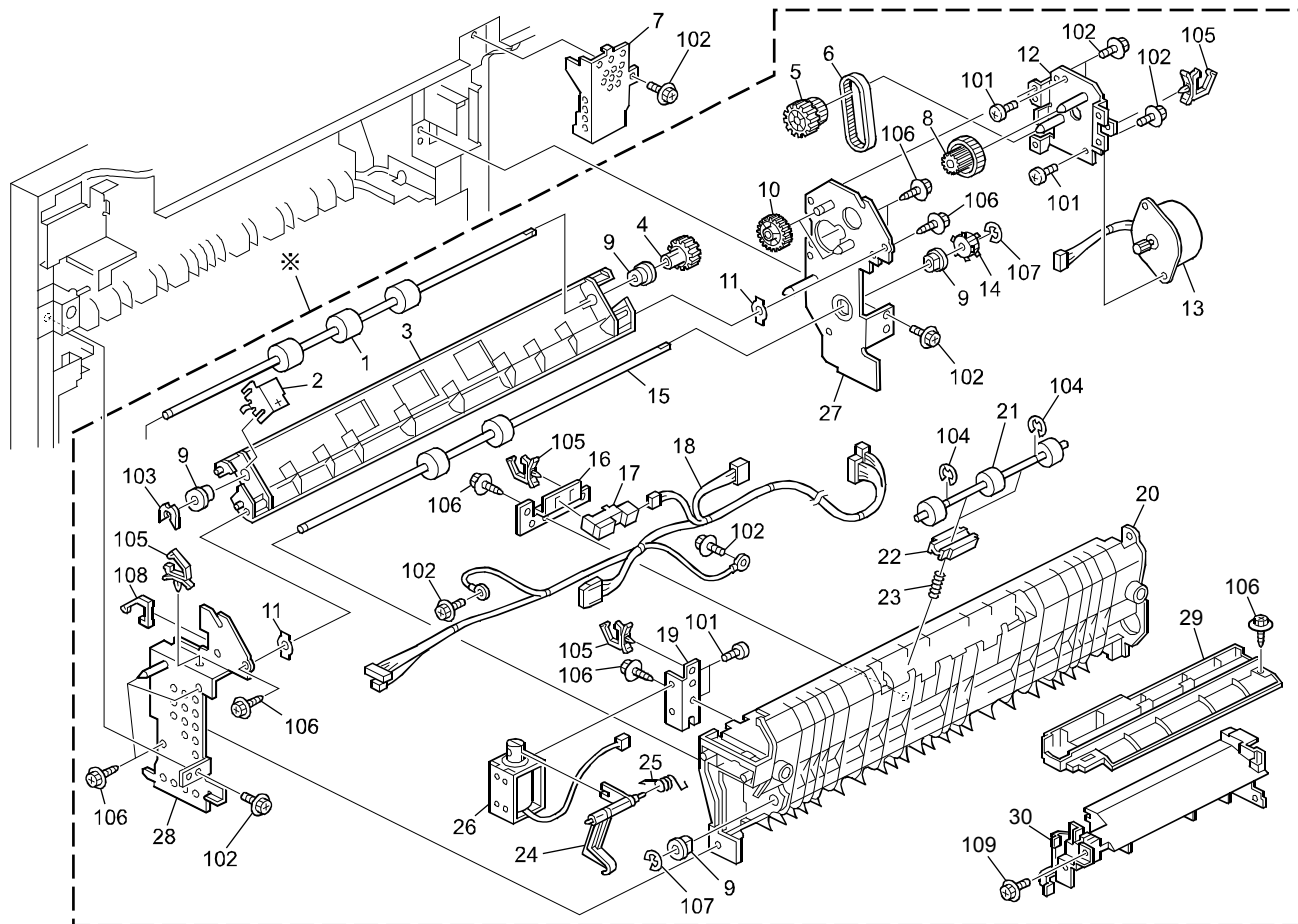


19.Paper Exit Section (D182/D183/D184)

Index No.	Part No.	Description	Q'ty Per Assembly
1	D1204456	SPACER:EXIT	1
2	D1204479	SHAFT:EXIT:EXIT	1
3	D1204478	FEELER:EXIT:EXIT	1
4	D1201099	BRACKET:DUPLEX:LOCK:REAR:ASS'Y	1
5	AA120146	DISCHARGE BRUSH:EXIT	1
6	AF040059	ROLLER:TENSION	2
7	D1204474	SPRING PLATE:ROLLER:TENSION	2
8	AF040060	ROLLER:TENSION:OUTER	2
9	D1204483	SPRING PLATE:ROLLER:TENSION:OUTER	2
10	D1204486	STOPPER:SPRING PLATE:OUTER	2
11	D1204487	STOPPER:SPRING PLATE	2
12	D1204452	GUIDE PLATE:PAPER EXIT UNIT:LOWER	1
13	D1204454	GROUND PLATE:PAPER EXIT UNIT	1
14	AB011297	GEAR:EXIT ROLLER	1
15	AF020757	EXIT ROLLER	1
16	D1204476	FEELER:PAPER FEED SENSOR	1
17	D1204453	GUIDE PLATE:PAPER EXIT UNIT:UPPER	1
18	D1204455	STAY:EXIT	1
19	AW020198	PHOTOINTERRUPTOR:LG2A14NL1	9
20	D1201097	BRACKET:DUPLEX:LOCK:FRONT:ASS'Y	1
21	D1204489	COVER:EXIT:SENSOR	1
22	D1205307	HARNES:BCU:PAPER FEED SENSOR	1
23	AF022180	ROLLER:DRIVEN	4
24	AA082118	PLAIN SHAFT BEARING:MM6	2
25	D1201129	BRACKET:DC FAN MOTOR:SIROCCO	1

Index No.	Part No.	Description	Q'ty Per Assembly
101	08025320	HEXAGON HEAD TAPPING SCREW:ES:3X10	
102	07200040E	RETAINING RINGS-E:4	
103	04543006Q	TAPPING SCREW:3X6	
104	04513006N	TAPPING SCREW:3X6	
105	11050758	CLAMP:LWSM-0306A	

20. Paper Inverter Section (D182/D183/D184)

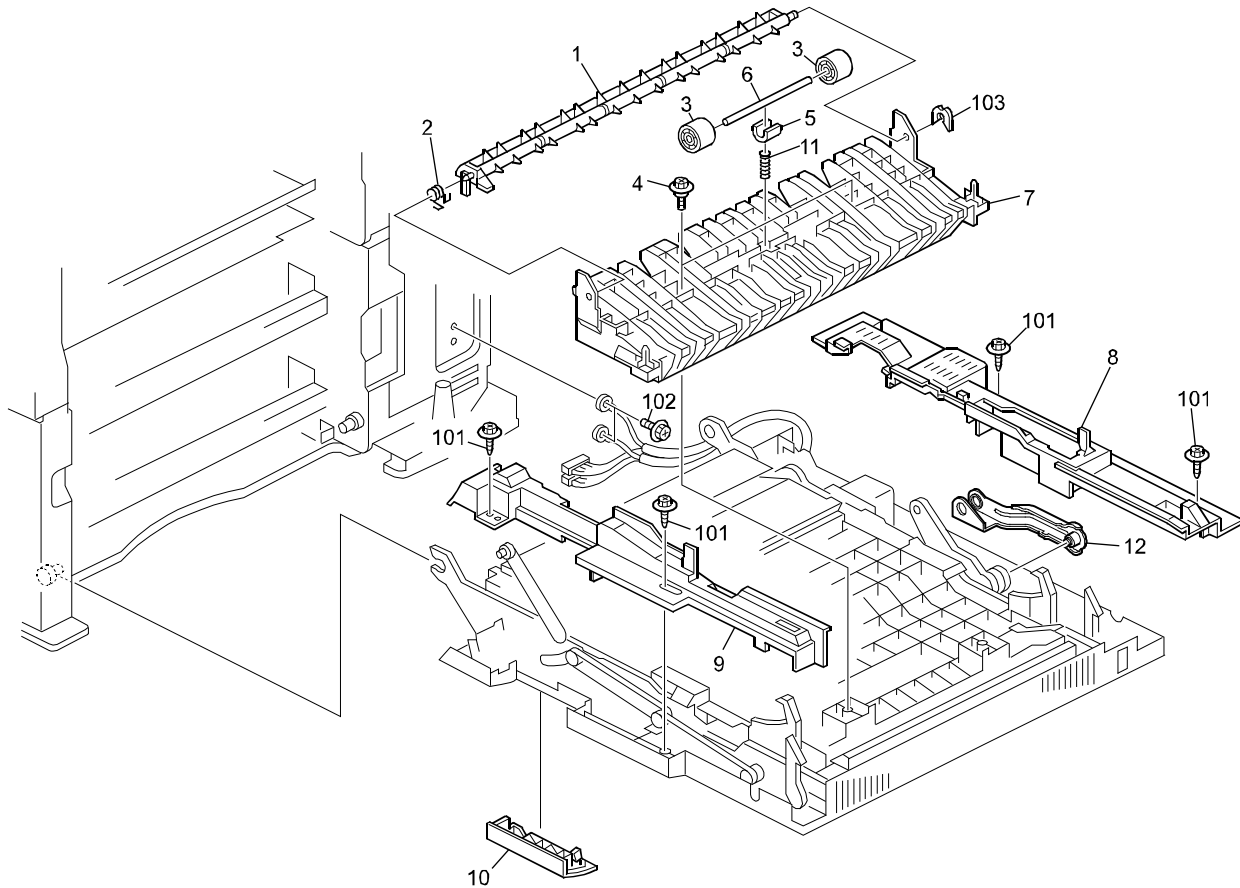


20.Paper Inverter Section (D182/D183/D184)

Index No.	Part No.	Description	Q'ty Per Assembly
*	D1820221	REVERSE UNIT:ASS'Y	1
1	AF020758	REVERSE ROLLER	1
2	D1204837	GROUND PLATE:REVERSE ROLLER	1
3	D1204840	FRAME:REVERSE ROLLER	1
4	AB011298	GEAR:REVERSE ROLLER	1
5	AB030853	TIMING PULLEY:19T:GEAR:Z24	1
6	AA043648	SYNCHRONOUS BELT:S3M:150	1
7	D1204833	COVER:MOTOR:REVERSE	1
8	AB010162	GEAR:IDLER	1
9	AA082118	PLAIN SHAFT BEARING:MM6	4
10	AB010161	GEAR:Z31	2
11	AA000273	SEAL:REVERSE ROLLER	2
12	D1204810	BRACKET:DC STEPPER MOTOR:PEEN	1
13	AX060401	DC STEPPER MOTOR:9.5OHM	1
14	AB030849	PULLEY:TRANSPORT ROLLER:REVERSE	1
15	AF020759	TRANSPORT ROLLER:REVERSE	1
16	D1204834	BRACKET:REFLECTION PHOTO SENSOR:REVERSE	1
17	GW010007	REFLECTION PHOTO SENSOR:EXIT	1
18	D1825355	HARNES:REVERSE UNIT	1
19	D1204828	BRACKET:DC SOLENOID	1
20	D1204830	FRAME:REVERSE	1
21	AF020778	REVERSE ROLLER:DRIVEN	1
22	AA080297	PLAIN SHAFT BEARING:DIA4	2
23	AA063478	COIL SPRING:REVERSE ROLLER:DRIVEN	2
24	D1204829	LINK:GATE PAWL:LOWER	1
25	AA066415	COIL SPRING:LINK:GATE PAWL:LOWER	1
26	D1204827	DC SOLENOID:24V:2.9N	1
27	D1204811	SIDE PLATE:REVERSE:REAR:ASS'Y	1
28	D1204823	SIDE PLATE:REVERSE:FRONT:ASS'Y	1
29	D1204821	FRAME:REVERSE:UPPER	1
30	D1204831	FRAME:REVERSE:LOWER	1

Index No.	Part No.	Description	Q'ty Per Assembly
101	03530040N	SCREW:M3X4	
102	04513006N	TAPPING SCREW:3X6	
103	08050089	RETAINING RINGS-E:SILENCER:DIA4	
104	07200030E	RETAINING RINGS-E:3	
105	11050758	CLAMP:LWSM-0306A	
106	08025319	HEXAGON HEAD TAPPING SCREW:ES:3X8	
107	07200040E	RETAINING RINGS-E:4	
108	11050723	CLAMPS:WES-0507	
109	04513008N	TAPPING SCREW:3X8	

21. Duplex Section 1 (D182/D183/D184)

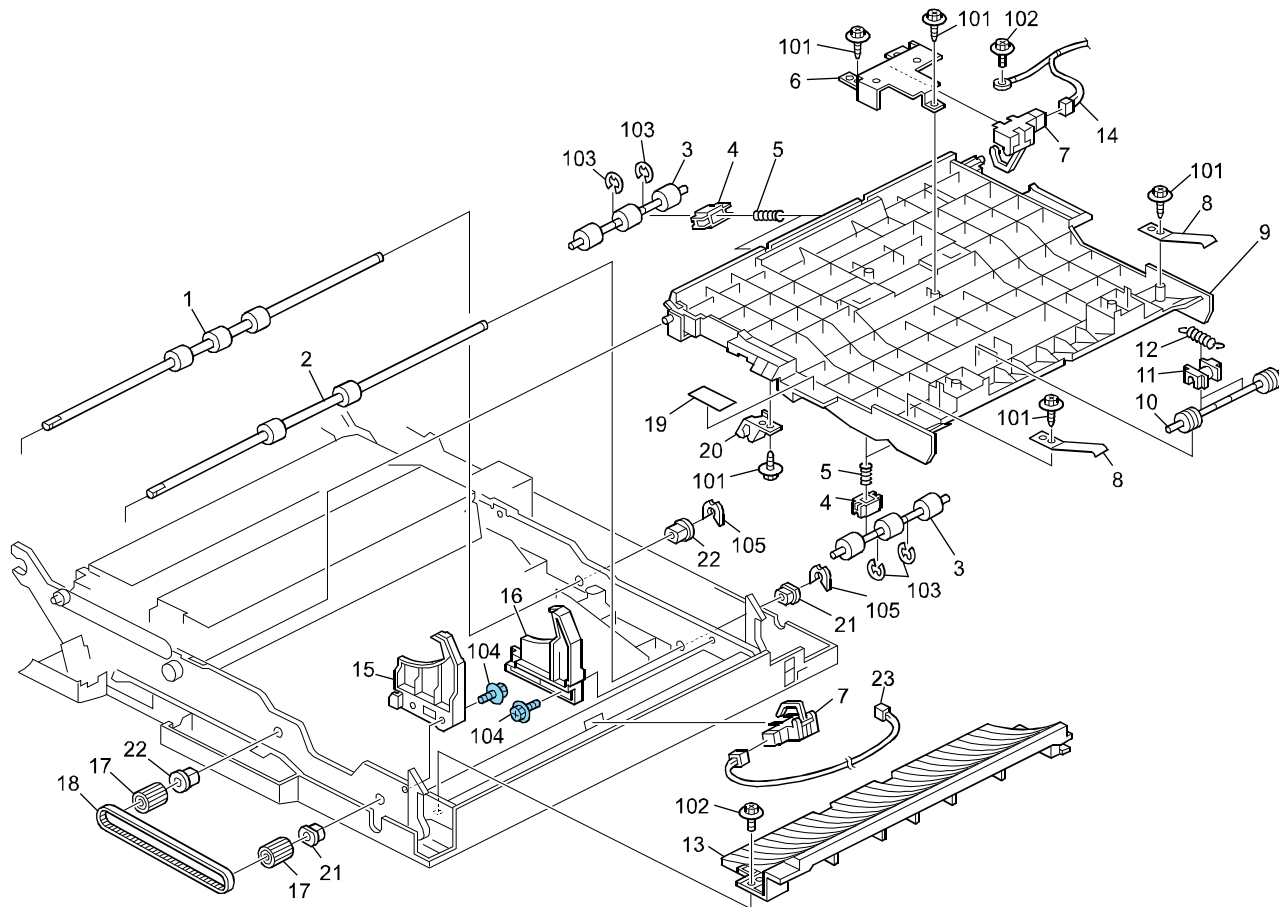


21. Duplex Section 1 (D182/D183/D184)

Index No.	Part No.	Description	Q'ty Per Assembly
1	AF025045	GATE PAWL:LOWER	1
2	AA066414	COIL SPRING:GATE PAWL:LOWER	1
3	B3004566	ROLLER:TENSION:GATE	2
4	GA143003	SCREW:MM5:2.5MM	2
5	AA080156	PLAIN SHAFT BEARING - M4	1
6	AA145818	SHAFT:ROLLER:TENSION	1
7	D1204665	GUIDE PLATE:OPEN AND CLOSE:GATE	1
8	D1204628	INNER COVER:REAR	1
9	D1204629	INNER COVER:FRONT	1
10	D1204645	INNER COVER:GRIP:DUPLEX UNIT	1
11	52054527	SPRING - EXIT	1
12	D1204674	GUIDE PLATE:GATE:ASS'Y	1

Index No.	Part No.	Description	Q'ty Per Assembly
101	08025319	HEXAGON HEAD TAPPING SCREW:ES:3X8	
102	04513006N	TAPPING SCREW:3X6	
103	08050089	RETAINING RINGS-E:SILENCER:DIA4	

22. Duplex Section 2 (D182/D183/D184)

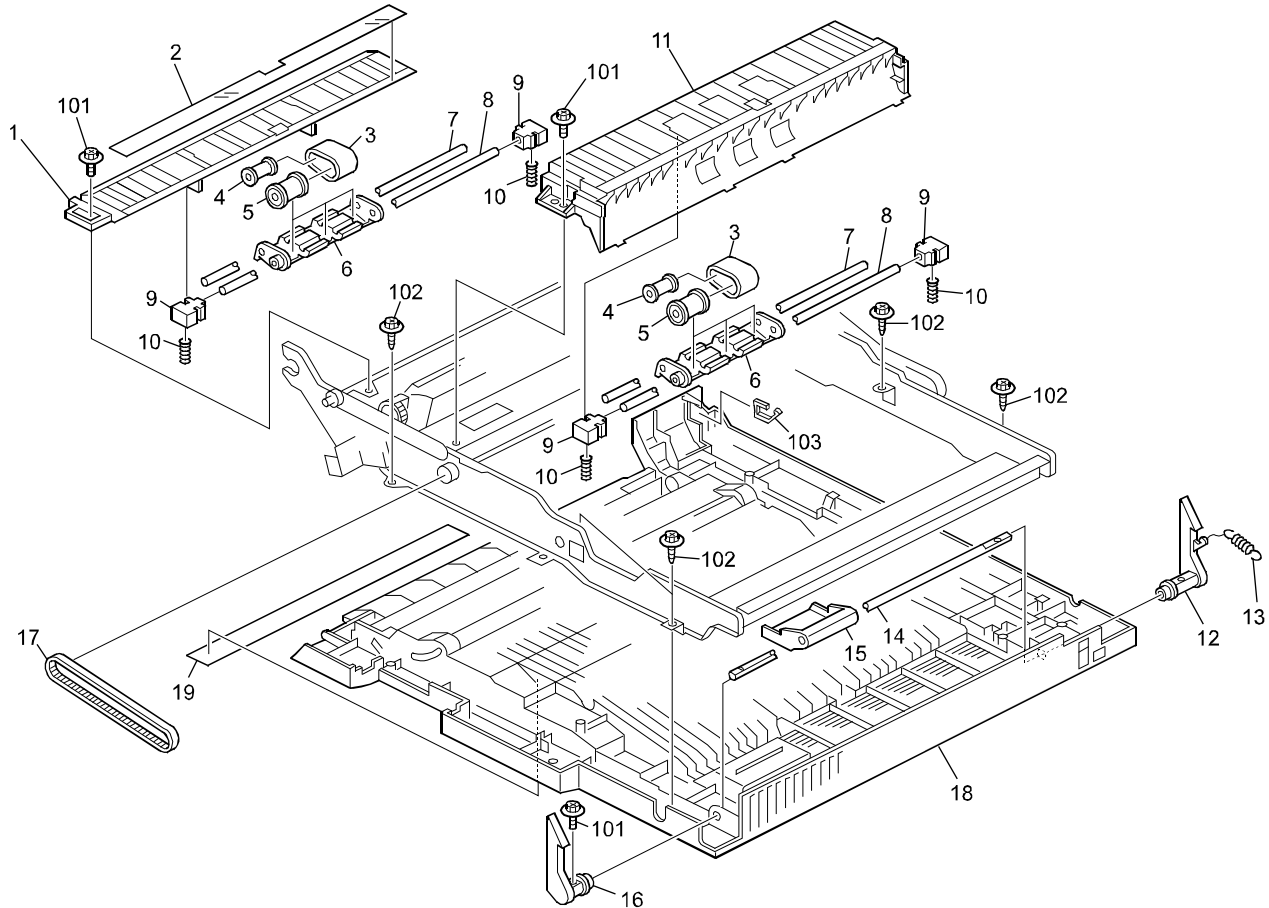


22.Duplex Section 2 (D182/D183/D184)

Index No.	Part No.	Description	Q'ty Per Assembly
1	AF020756	TRANSPORT ROLLER:DUPLEX:CONNECTING	1
2	AF020755	TRANSPORT ROLLER:DUPLEX:ENTRANCE	1
3	D0094664	DRIVEN ROLLER:DIA16	2
4	AA080254	PLAIN SHAFT BEARING:PRESSURE:MM4	4
5	AA063475	COMPRESSION SPRING:ROLLER:DRIVEN	4
6	D1204647	BRACKET:DUPLEX:EXIT SENSOR	1
7	AW020206	PHOTOINTERRUPTOR:DUPLEX	2
8	D1204675	SPRING PLATE:GUIDE PLATE:PRESSURE	2
9	D1204613	GUIDE PLATE:DRIVEN	1
10	D0394542	DRIVEN ROLLER:ENTRANCE:DUPLEX	1
11	B2234552	PLAIN SHAFT BEARING:DIA4	2
12	D0394597	TENSION SPRING:DRIVEN ROLLER	2
13	D1204619	GUIDE PLATE:DUPLEX:ENTRANCE	1
14	D1825352	HARNES:DUPLEX UNIT:MAIN	1
15	D1204653	ARM:PRESSURE RELEASE:DUPLEX:FRONT	1
16	D1204664	ARM:PRESSURE RELEASE:DUPLEX:REAR	1
17	AB030847	PULLEY:TRANSPORT ROLLER:ENTRANCE	2
18	AA043584	TIMING BELT:S2M288	1
19	D1204640	DECAL:DUPLEX:OPEN AND CLOSE	1
20	D1204614	STOPPER:GUIDE PLATE:DRIVEN	1
21	AA082118	PLAIN SHAFT BEARING:MM6	2
22	AA082154	BUSHING:DIA6:DIA10:9	2
23	D1825351	HARNES:CONNECTING:DUPLEX UNIT:SENSOR	1

Index No.	Part No.	Description	Q'ty Per Assembly
101	08025319	HEXAGON HEAD TAPPING SCREW:ES:3X8	
102	04513006N	TAPPING SCREW:3X6	
103	07200030E	RETAINING RINGS-E:3	
104	04543006Q	TAPPING SCREW:3X6	
105	08050089	RETAINING RINGS-E:SILENCER:DIA4	

23. Duplex Section 3 (D182/D183/D184)

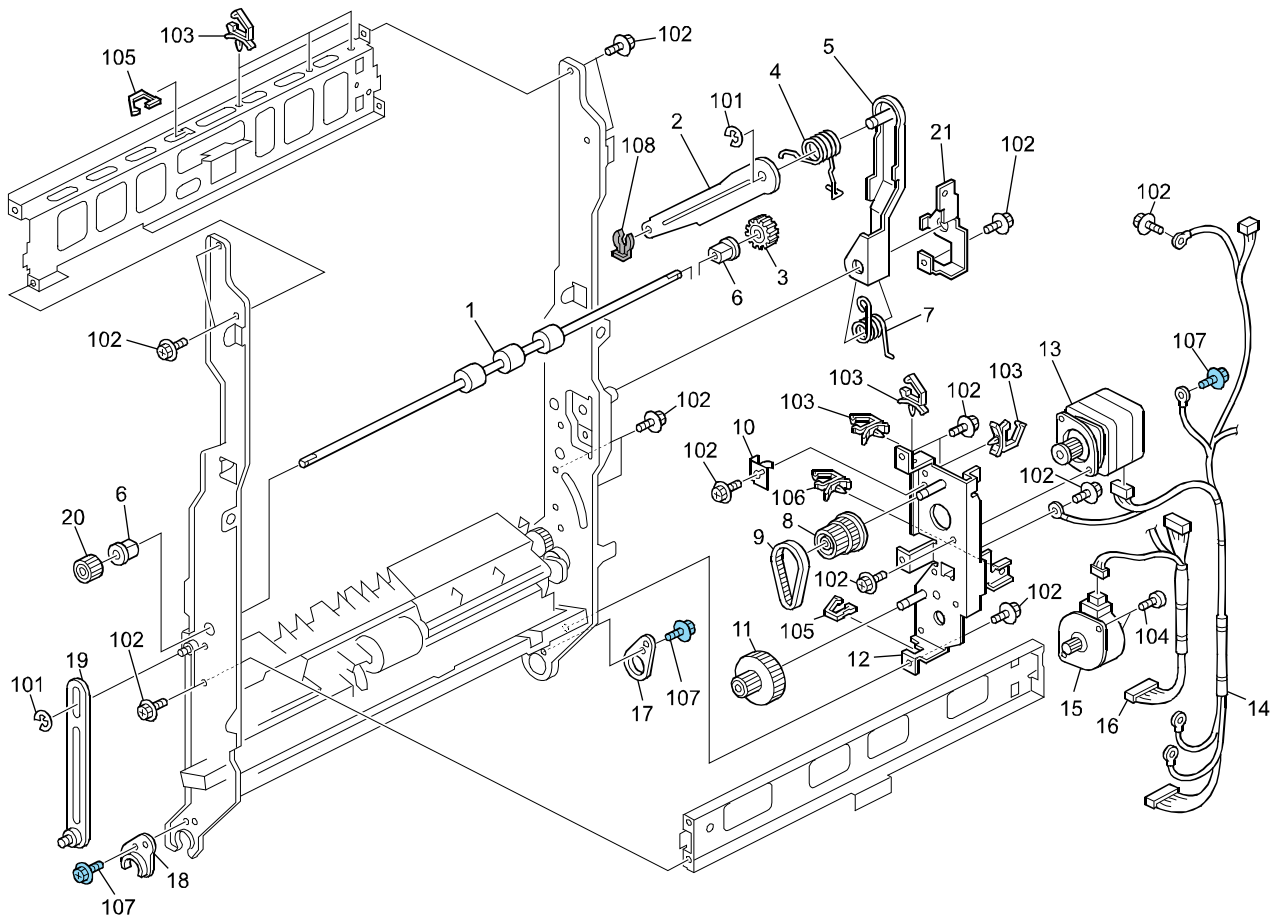


23. Duplex Section 3 (D182/D183/D184)

Index No.	Part No.	Description	Q'ty Per Assembly
1	D1202956	GUIDE PLATE:VERTICAL TRANSPORT:LOWER	1
2	D1202958	SHEET:GUIDE:VERTICAL TRANSPORT:LOWER	1
3	D0292677	TRANSPORT BELT:DRIVEN:VERTICAL TRANSPORT	6
4	D0092574	PULLEY:DRIVEN:IDLER	6
5	D0092573	PULLEY:DRIVEN:VERTICAL TRANSPORT	6
6	D0092571	HOLDER:DRIVEN:VERTICAL TRANSPORT	2
7	D0092575	SHAFT:DRIVEN:IDLER	2
8	D0092576	SHAFT:DRIVEN:VERTICAL TRANSPORT	2
9	G0602652	PLAIN SHAFT BEARING:MM4	4
10	B2232676	SPRING:PRESSURE:11N	4
11	D1202957	GUIDE PLATE:VERTICAL TRANSPORT:DRIVEN:UPPER	1
12	D1204699	HOOK:STOPPER:REAR	1
13	AA061105	TENSION SPRING:LEVER:DUPLEX	1
14	D0392998	SHAFT:GRIP	1
15	D1202996	GRIP:COVER:RIGHT	1
16	D0392996	HOOK:STOPPER:DUPLEX UNIT:FRONT	1
17	AA043584	TIMING BELT:S2M288	1
18	D1204618	COVER:RIGHT	1
19	D1204643	DECAL:COVER:RIGHT	1

Index No.	Part No.	Description	Q'ty Per Assembly
101	04513006N	TAPPING SCREW:3X6	
102	08025319	HEXAGON HEAD TAPPING SCREW:ES:3X8	
103	11050518	CLAMP:LES-1010	

24. Duplex Section 4 (D182/D183/D184)

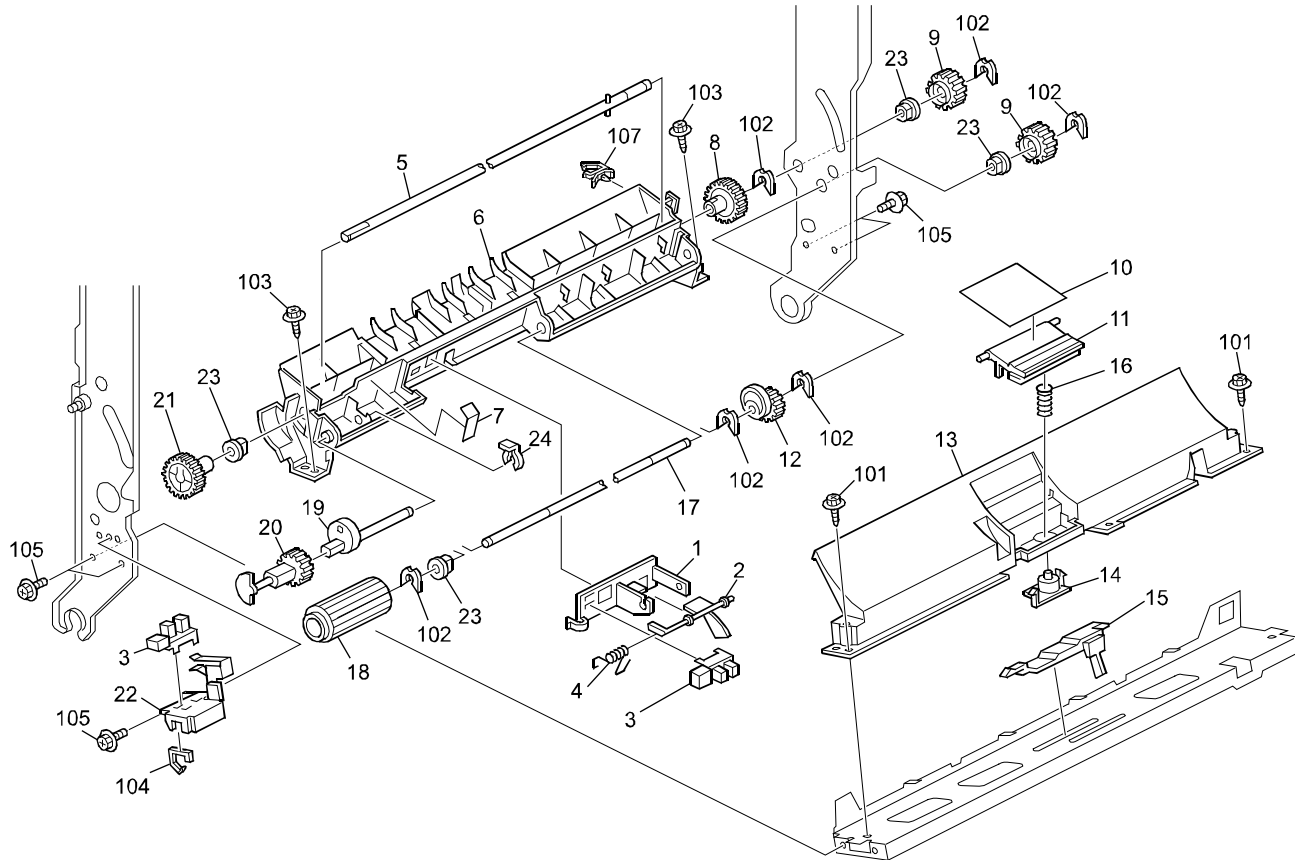


24. Duplex Section 4 (D182/D183/D184)

Index No.	Part No.	Description	Q'ty Per Assembly
1	AF020754	TRANSPORT ROLLER:DUPLEX:EXIT	1
2	D1204677	LINK:STOPPER	1
3	AB011295	GEAR:TRANSPORT ROLLER	1
4	AA066416	TORSION SPRING:STOPPER	1
5	D1204673	ARM:STOPPER:PEEN	1
6	AA082118	PLAIN SHAFT BEARING:MM6	2
7	AA066410	TORSION SPRING:STOPPER:CONTACT POINT	1
8	AB011296	GEAR:IDLER:DUPLEX:EXIT	1
9	AA043323	TIMING BELT:40S2M120	1
10	B2381762	GROUND PLATE:STEPPER MOTOR	1
11	D0392781	GEAR:STEPPER MOTOR	1
12	D1204612	BRACKET:COVER:RIGHT:PEEN	1
13	D1204671	DC STEPPER MOTOR:DUPLEX:SUB-ASS'Y	1
14	D1825352	HARNESS:DUPLEX UNIT:MAIN	1
15	AX050302	STEPPER MOTOR:TRANSPORT	1
16	D1825357	HARNESS:MANUAL FEED UNIT:MAIN	1
17	D1204609	SPACER:DUPLEX:CONTACT POINT:REAR	1
18	D1204610	SPACER:DUPLEX:CONTACT POINT:FRONT	1
19	D1204625	LINK:FRONT:DUPLEX:ASS'Y	1
20	AB030848	PULLEY:TRANSPORT ROLLER	1
21	D1204655	BRACKET:ARM:STOPPER	1

Index No.	Part No.	Description	Q'ty Per Assembly
101	07200060E	RETAINING RINGS-E:6	
102	04513006N	TAPPING SCREW:3X6	
103	11050758	CLAMP:LWSM-0306A	
104	03530040N	SCREW:M3X4	
105	11050551	CLAMP:LES-1010	
106	11050760	CLAMP:LWSM-0511A	
107	04543006Q	TAPPING SCREW:3X6	
108	08050097	RING SEPARATOR	

25. Duplex Section 5 (D182/D183/D184)

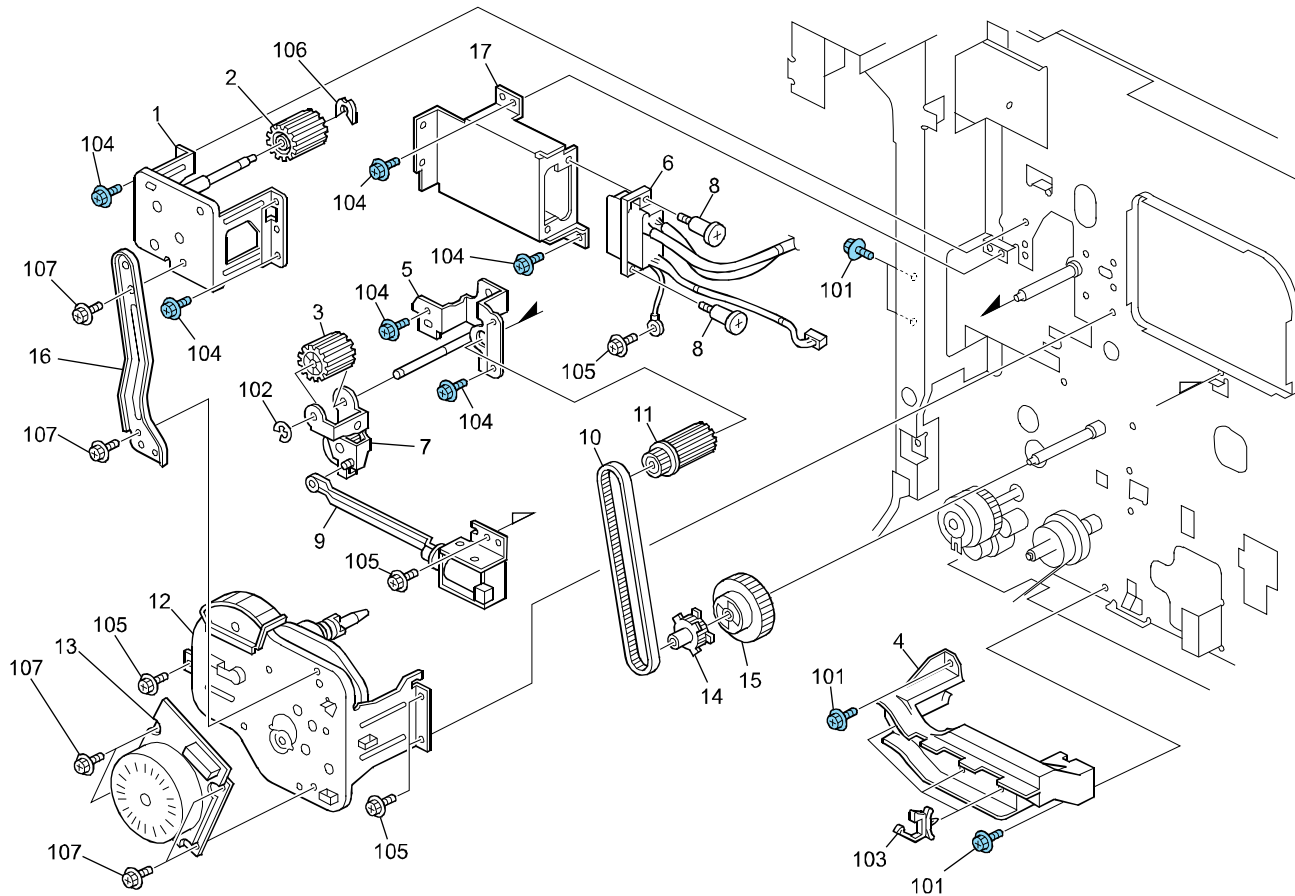


25. Duplex Section 5 (D182/D183/D184)

Index No.	Part No.	Description	Q'ty Per Assembly
1	D0392724	BRACKET:PAPER END SENSOR:MANUAL FEED	1
2	D0392725	FEELER:MANUAL FEED	1
3	AW020198	PHOTOINTERRUPTOR:LG2A14NL1	1
4	D0392797	TORSION SPRING:PAPER END SENSOR	1
5	D0392796	SHAFT:CAM:ASS'Y	1
6	D1202626	GUIDE PLATE:MANUAL FEED UNIT:UPPER	1
7	D0392763	PLATE:HARNES:MANUAL FEED	1
8	D0392789	GEAR:CAM:RIGHT REAR	1
9	D0392780	GEAR:ROLLER CLUTCH	2
10	D1202614	SHEET:GUIDE PLATE:MANUAL FEED	1
11	B2614650	SEPARATION PAD:ASS'Y	1
12	D0392720	GEAR:CAM:RIGHT	1
13	D1202613	GUIDE PLATE:MANUAL FEED UNIT:LOWER	1
14	D0392714	HOLDER:COMPRESSION SPRING:SEPARATION PAD	1
15	D0392711	LEVER:COMPRESSION SPRING:SEPARATION PAD	1
16	B0434685	COMPRESSION SPRING:2.8N	1
17	D0392786	SHAFT:DRIVE:MANUAL FEED UNIT	1
18	AF031060	PAPER FEED ROLLER:MANUAL FEED	1
19	D0392793	CAM:LEFT	1
20	D0392790	GEAR:FEELER:LEFT	1
21	D0392722	GEAR:CAM:LEFT REAR	1
22	D1202612	BRACKET:HOME POSITION SENSOR:PEEN	1
23	AA082118	PLAIN SHAFT BEARING:MM6	2
24	D0392799	RETAINING RINGS-C:DIA4	1

Index No.	Part No.	Description	Q'ty Per Assembly
101	04513008N	TAPPING SCREW:3X8	
102	08050089	RETAINING RINGS-E:SILENCER:DIA4	
103	08025319	HEXAGON HEAD TAPPING SCREW:ES:3X8	
104	11050551	CLAMP:LES-1010	
105	04513006N	TAPPING SCREW:3X6	
106	11024431	CONNECTOR:292254-8	
107	11050758	CLAMP:LWSM-0306A	

26. Drive Section 1 (D182/D183/D184)

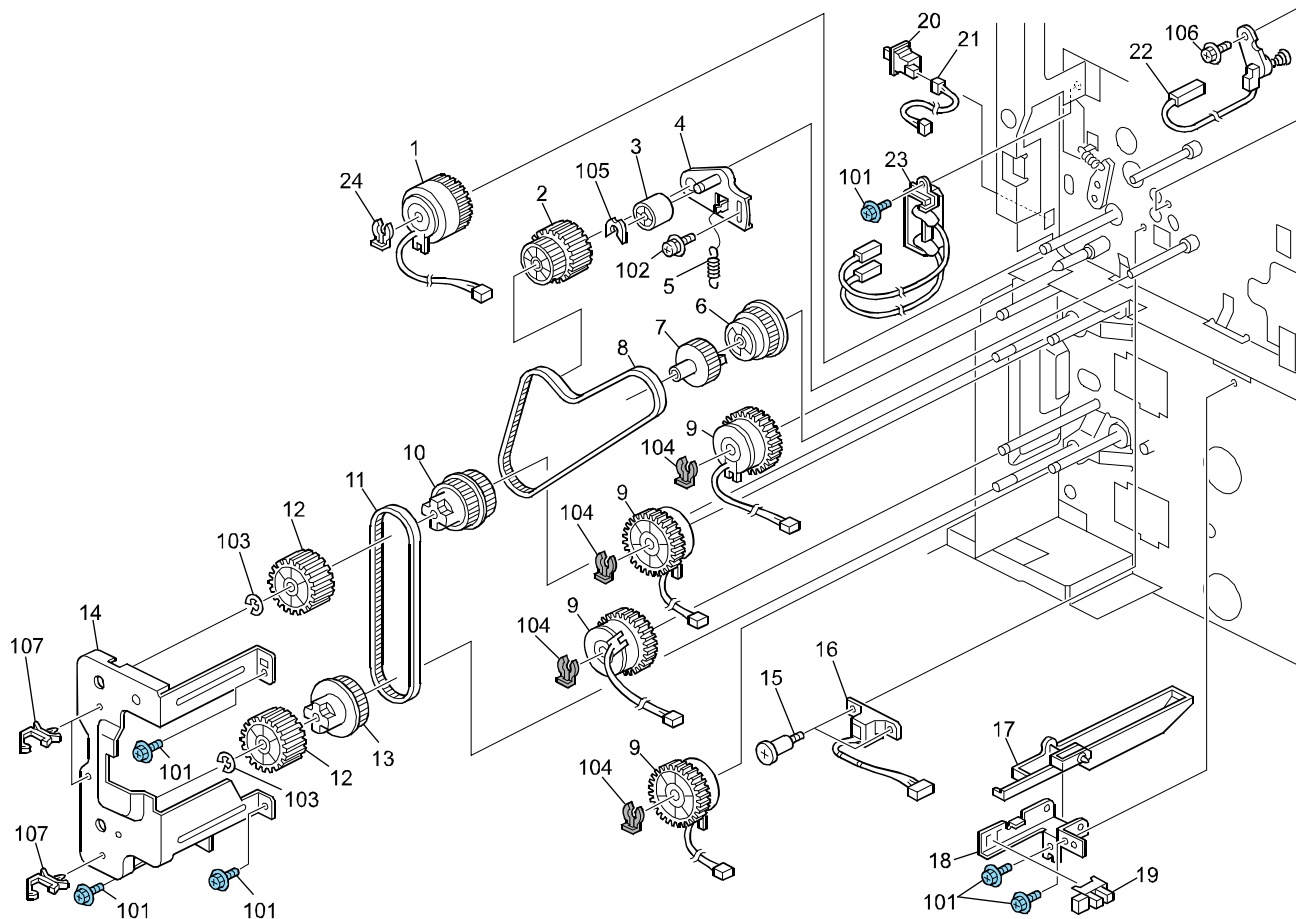


26.Drive Section 1 (D182/D183/D184)

Index No.	Part No.	Description	Q'ty Per Assembly
1	D1206105	COVER:DRIVE:FUSING:PEEN	1
2	AB011567	GEAR:EXIT:DRIVE	1
3	AB011565	GEAR:FUSING:IDLER	1
4	D1201178	HOLDER:REGISTRATION	1
5	D1201185	BRACKET:DRIVE:FUSING:PEEN	1
6	D1825321	HARNESS:AC:FUSING:NA (for NA/TWN)	1
6	D1825322	HARNESS:AC:FUSING:EU (for EU/AA/CHN/KOR)	1
7	D1201189	BRACKET:FUSING:SWIVEL:PEEN	1
8	AA143301	STEPPED SCREW - M3X4	2
9	D1201193	LEVER:DC SOLENOID:ASS'Y	1
10	AA043673	SYNCHRONOUS BELT:FUSING:S3M:5X288	1
11	AB030856	PULLEY:FUSING:NO.2	1
12	D1821027	BRACKET:DRIVE:DRUM:ASS'Y	1
13	AX060402	DC BRUSHLESS MOTOR:MAIN:30.7W	1
14	AB030855	PULLEY:FUSING:NO.1	1
15	AB010404	GEAR:FUSING:NO.2	1
16	D1206111	BRACKET:ARM:FUSING/PAPER EXIT UNIT	1
17	D1205613	GUIDE PLATE:FUSING UNIT:REAR	1

Index No.	Part No.	Description	Q'ty Per Assembly
101	04543008Q	TAPPING SCREW:3X8	
102	07200040E	RETAINING RINGS-E:4	
103	11050758	CLAMP:LWSM-0306A	
104	04543006Q	TAPPING SCREW:3X6	
105	04513006N	TAPPING SCREW:3X6	
106	08050089	RETAINING RINGS-E:SILENCER:DIA4	
107	03603006N	SCREW:M3X6	

27. Drive Section 2 (D182/D183/D184)

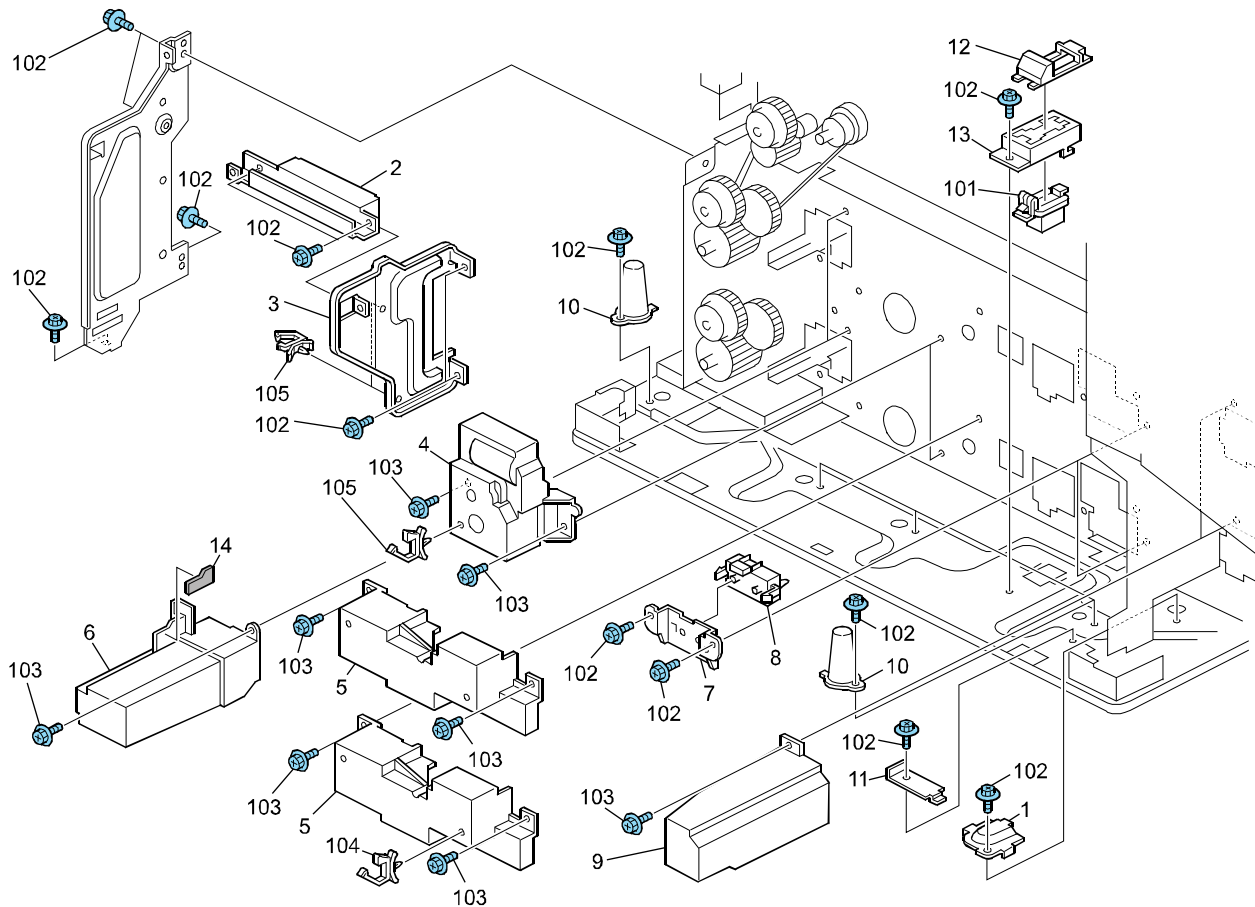


27.Drive Section 2 (D182/D183/D184)

Index No.	Part No.	Description	Q'ty Per Assembly
1	AX200325	ELECTROMAGNETIC CLUTCH:REGISTRATION:0.5N·M	1
2	AB030858	PULLEY:GEAR:ELECTROMAGNETIC CLUTCH:CONNECTING	1
3	D1201175	PULLEY:REGISTRATION:TIGHTENER	1
4	D1201172	BRACKET:DRIVE:TIGHTENER:PEEN	1
5	B2384717	TENSION SPRING:ARM:COUPLING	1
6	AB030857	PULLEY:TRANSPORT:NO.1	1
7	AB010406	GEAR:TRANSPORT:NO.2	1
8	AA043671	SYNCHRONOUS BELT:TRANSPORT:S3M:5X387	1
9	AX200324	ELECTROMAGNETIC CLUTCH:0.45N·M:Z44	4
10	AB030859	PULLEY:CONNECTING:PAPER FEED:REGISTRATION	1
11	AA043674	SYNCHRONOUS BELT:S2M:288	1
12	AB011568	GEAR:IDLER:PAPER FEED:VERTICAL TRANSPORT	2
13	AB030860	PULLEY:PAPER FEED:NO.2	1
14	D1201170	BRACKET:PAPER FEED:VERTICAL TRANSPORT	1
15	B2591131	SCREW:PCU	2
16	D1205344	HARNESS:DEVELOPMENT:DRAWER	1
17	D1202723	FEELER:PAPER SIZE SENSOR:INNER BACK	1
18	D1202724	BRACKET:PAPER SIZE SENSOR:INNER BACK	1
19	AW020204	PHOTOINTERRUPTOR:LGR C102	1
20	G0205626	PUSH SWITCH	1
21	D1825338	HARNESS:CONNECTING:RIGHT:DOOR SWITCH	1
22	D1823461	RECEPTACLE:CHARGE:ASSY	1
23	D1823950	RECEPTACLE:TRANSFER/SEPARATION UNIT:O-C2:ASSY	1
24	54472681	SNAP RING	1

Index No.	Part No.	Description	Q'ty Per Assembly
101	04543006Q	TAPPING SCREW:3X6	
102	09543006N	SCREW:POLISHED ROUND/SPRING:M3X6	
103	07200060E	RETAINING RINGS-E:6	
104	08050088	RETAINING RINGS-E:SILENCER:DIA6	
105	08050089	RETAINING RINGS-E:SILENCER:DIA4	
106	04513006N	TAPPING SCREW:3X6	
107	11050758	CLAMP:LWSM-0306A	

28. Drive Section 3 (D182/D183/D184)

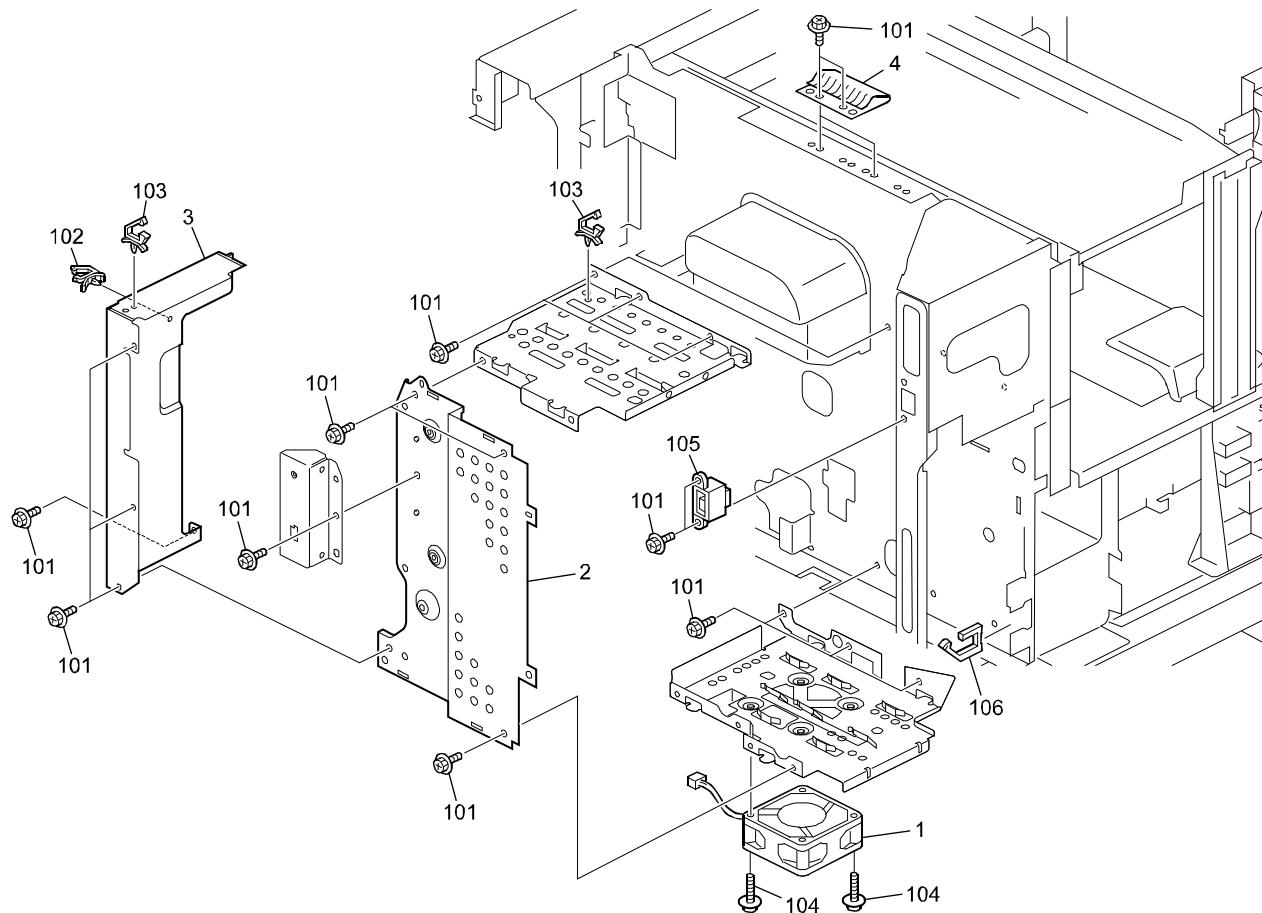


28.Drive Section 3 (D182/D183/D184)

Index No.	Part No.	Description	Q'ty Per Assembly
1	B2381066	COVER:BASE:RUBBER FOOT	1
2	D1205828	GRIP:REAR RIGHT	1
3	D1205834	BRACKET:GRIP:SUPPORT	1
4	AX040154	DC MOTOR:RISE:ASS'Y	2
5	B2232722	COVER:ELECTRICAL COMPONENTS	2
6	D1202541	COVER:TRAY:RIGHT	2
7	B2232721	BRACKET:PUSH SWITCH	2
8	AW500038	PUSH SWITCH:PAPER SIZE SENSOR	2
9	D1202543	COVER:TRAY:LEFT	2
10	B2381089	COVER:BASE:POSITIONING PIN	4
11	D1201091	BRACKET:BASE	1
12	B2381088	COVER:BASE:CONNECTOR	1
13	D1201096	BRACKET:CONNECTOR:BASE	1
14	D1202820	CUSHION:ELECTROMAGNETIC CLUTCH:PAPER FEED	2

Index No.	Part No.	Description	Q'ty Per Assembly
101	11028534	CONNECTOR:QR/P17-14S-B(51)	
102	04543006Q	TAPPING SCREW:3X6	
103	04543008Q	TAPPING SCREW:3X8	
104	11050487	CLAMP:LWS-0511Z	
105	11050758	CLAMP:LWSM-0306A	

29.Electrical Section 1 (D182/D183/D184)

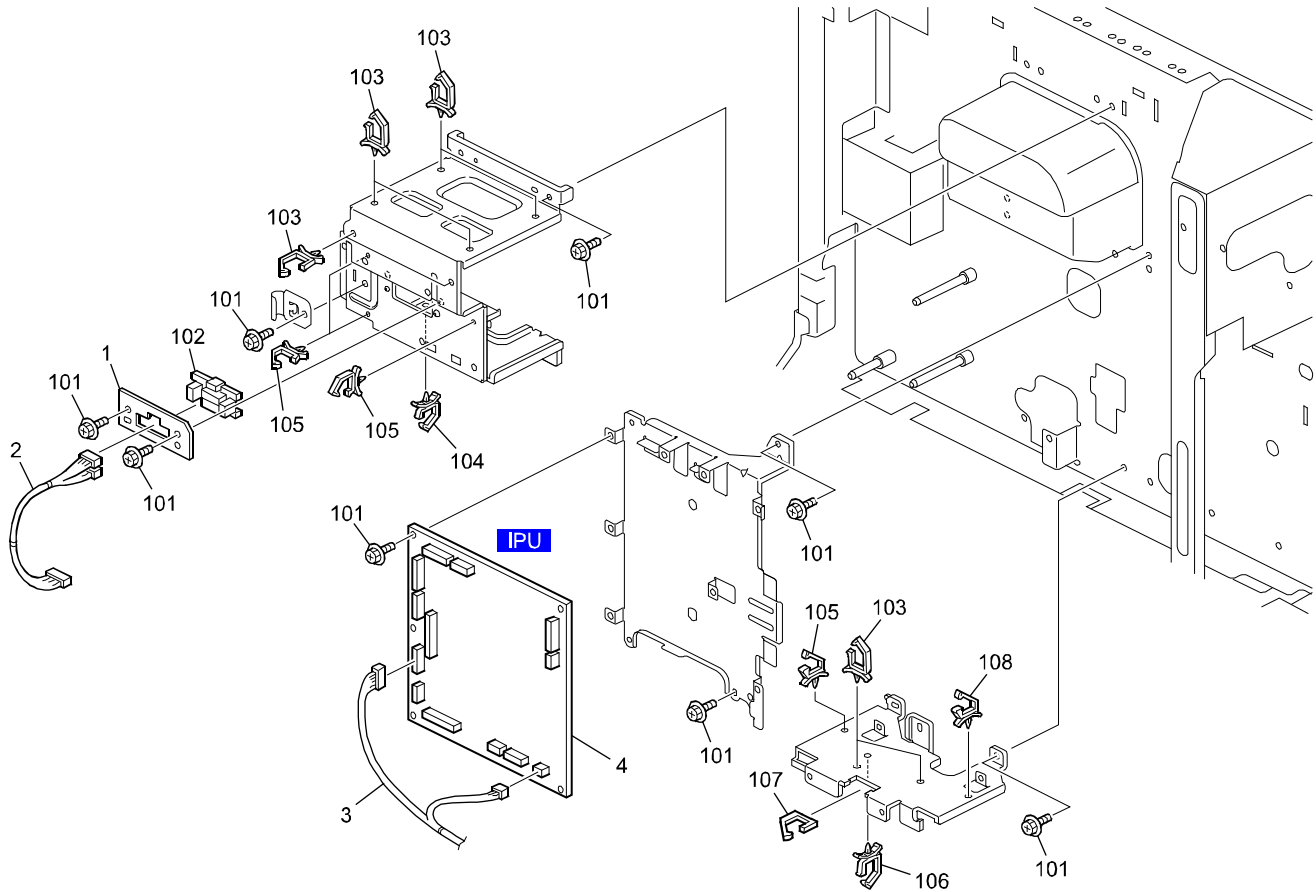


29.Electrical Section 1 (D182/D183/D184)

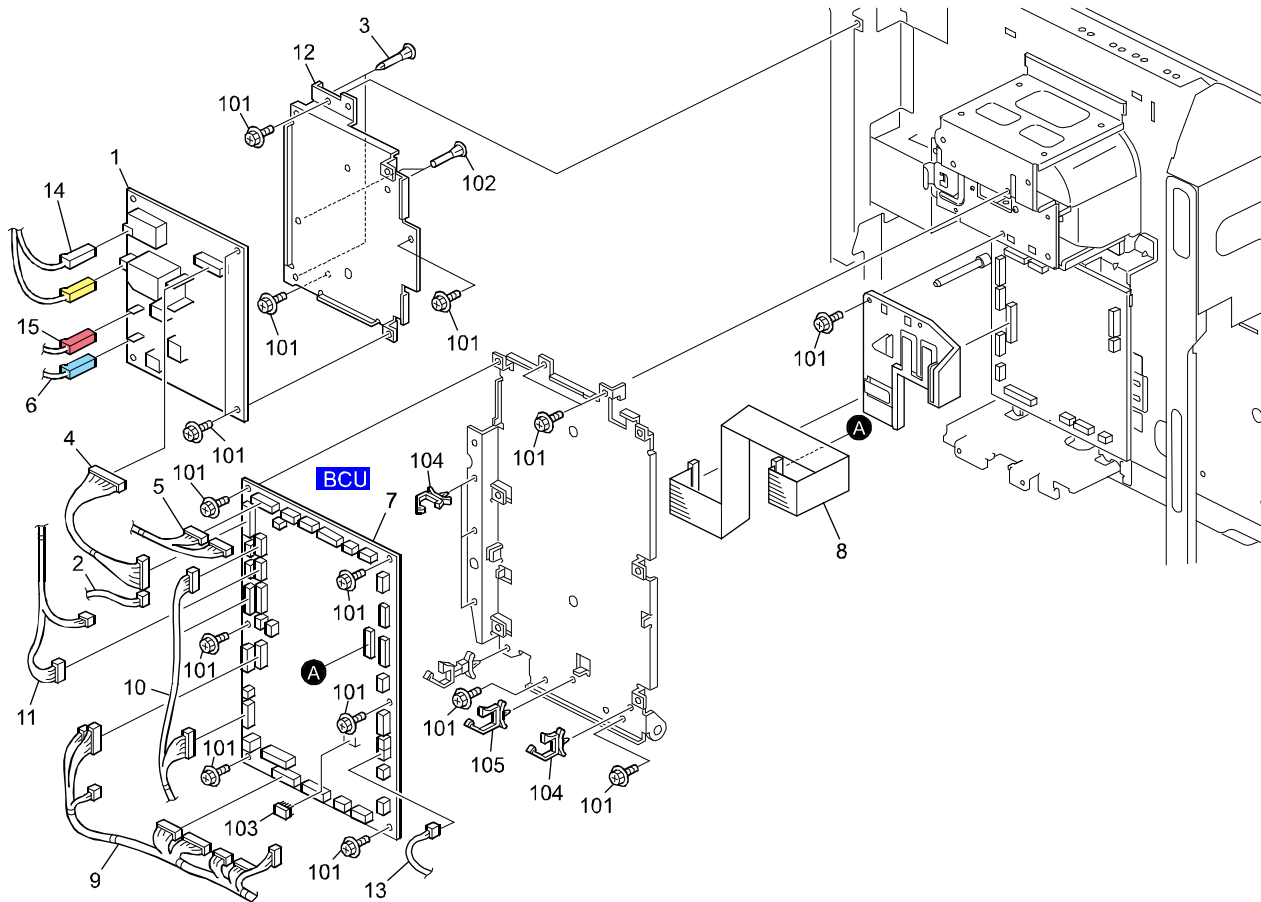
Index No.	Part No.	Description	Q'ty Per Assembly
1	AX640170	FAN:MM60:NIDEC:K	1
2	D1205875	SHADING PLATE:CTL	1
3	D1825852	COVER:EMI:CTL	1
4	D0391095	GROUND PLATE:SCANNER:STAY:UPPER REAR	2

Index No.	Part No.	Description	Q'ty Per Assembly
101	04513006N	TAPPING SCREW:3X6	
102	11050758	CLAMP:LWSM-0306A	
103	11050760	CLAMP:LWSM-0511A	
104	09543030N	SCREW:POLISHED ROUND/SPRING:M3X30	
105	11028502	CONNECTOR:54679-1619	
106	11050726	CLAMPS:WES-2217	

30.Electrical Section 2 (D182/D183/D184)



31.Electrical Section 3 (D182/D183/D184)

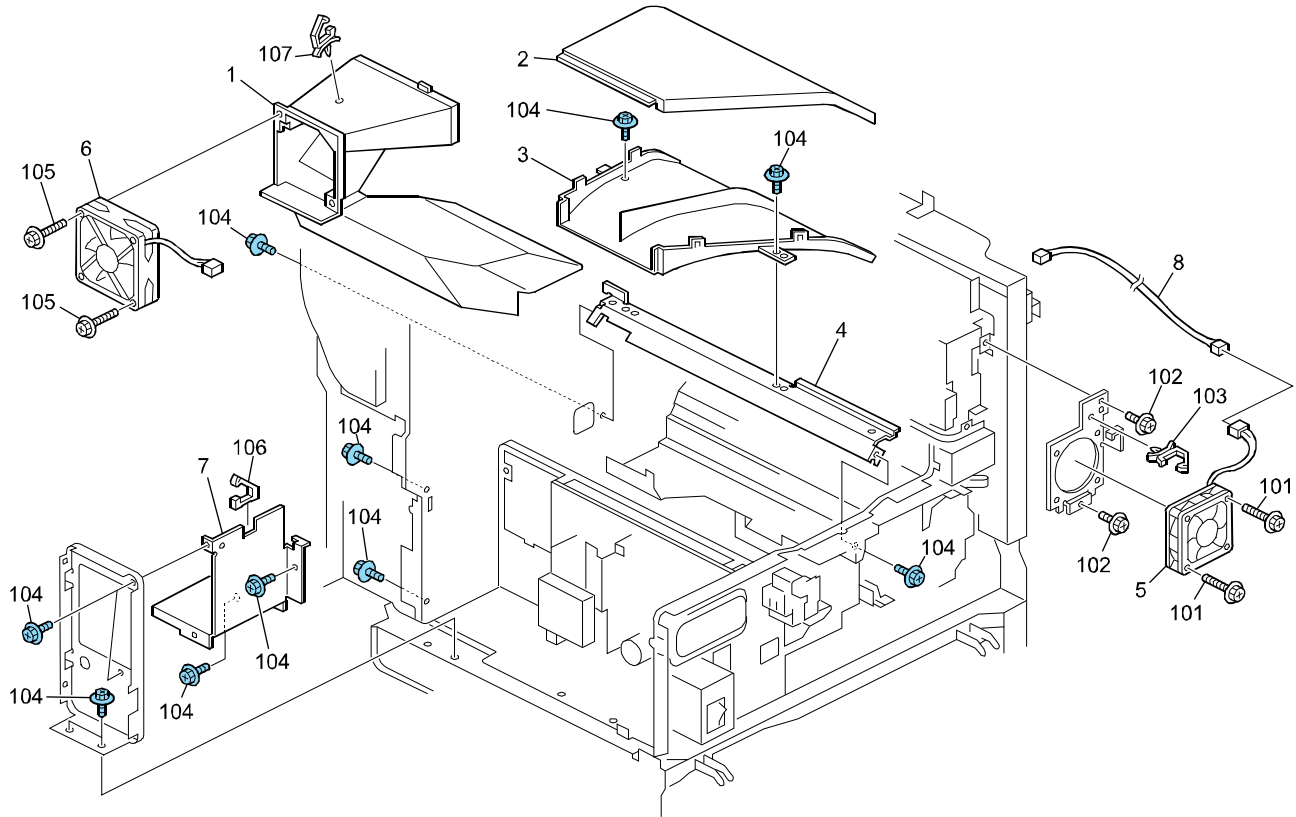


31.Electrical Section 3 (D182/D183/D184)

Index No.	Part No.	Description	Q'ty Per Assembly
1	AZ320176	POWER PACK:BCD	1
2	D1825305	HARNESS:BCU:DISCHARGE LAMP	1
3	G0205871	SPACER:LOCK:KGLS-12RT	2
4	D1825317	HARNESS:BCU:HVP	1
5	D1825306	HARNESS:BCU:PAPER EXIT SECTION:1BIN	1
6	D1825343	HARNESS:HVP:B	1
7	D1825122	PCB:BCU:ASSY	1
8	D1825315	HARNESS:FFC:BCU:IMAGE PROCESSING UNIT	1
9	D1825330	HARNESS:BCU:MAIN:LOWER	1
10	D1825302	HARNESS:BCU:MOTOR:MAIN	1
11	D1825321	HARNESS:AC:FUSING:NA (for NA/TWN)	1
11	D1825322	HARNESS:AC:FUSING:EU (for EU/AA/CHN/KOR)	1
12	D1205833	BRACKET:POWER PACK	1
13	D1825250	HARNESS:ORV-C2:OPERATION SUB-UNIT:ASS'Y	1
14	D1823950	RECEPTACLE:TRANSFER/SEPARATION UNIT:O-C2:ASS'Y	1
15	D1823461	RECEPTACLE:CHARGE:ASSY	1

Index No.	Part No.	Description	Q'ty Per Assembly
101	04513006N	TAPPING SCREW:3X6	
102	11050499	KGPS-12RF	
103	14077677	EEPROM:BR24T64-W	
104	11050487	CLAMP:LWS-0511Z	
105	11050490	CLAMP:LWS-2218Z	

32.Electrical Section 4 (D182/D183/D184)

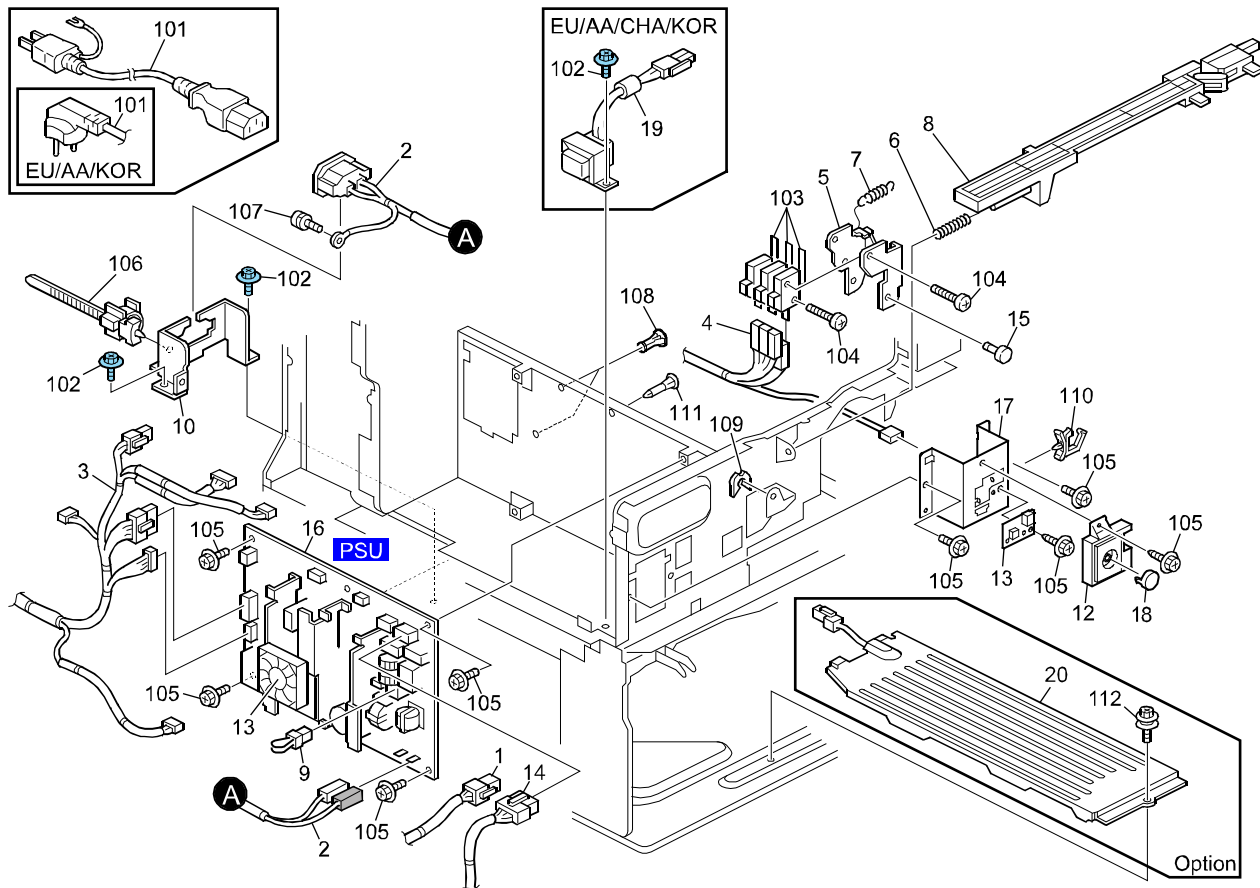


32.Electrical Section 4 (D182/D183/D184)

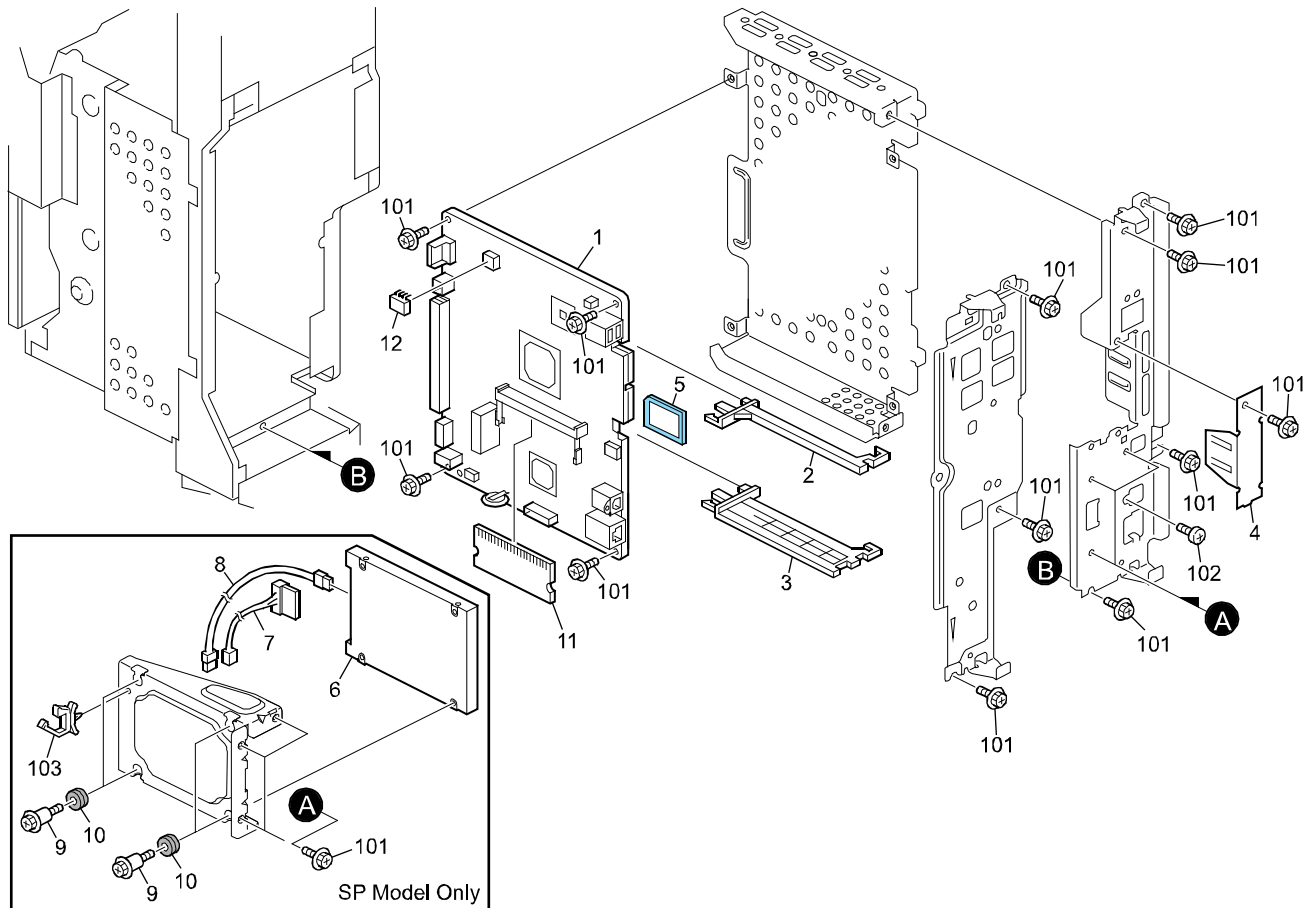
Index No.	Part No.	Description	Q'ty Per Assembly
1	D1201102	DUCT:DC FAN MOTOR	1
2	D1201105	DUCT:UPPER	1
3	D1201104	DUCT:LOWER	1
4	D1201108	HOLDER:DUCT	1
5	AX640170	FAN:MM60:NIDEC:K	1
6	GX645734	FAN:MM80	1
7	D1201106	GUIDE PLATE:DUCT:EXHAUST	1
8	D1825250	HARNES:ORV-C2:OPERATION SUB-UNIT:ASS'Y	1

Index No.	Part No.	Description	Q'ty Per Assembly
101	04513030N	TAPPING SCREW:3X30	
102	04513006N	TAPPING SCREW:3X6	
103	11050758	CLAMP:LWSM-0306A	
104	04543006Q	TAPPING SCREW:3X6	
105	04514035N	TAPPING SCREW:4X35	
106	11050724	CLAMPS:WES-1210	
107	11050508	CLAMP:LWS-0711Z	

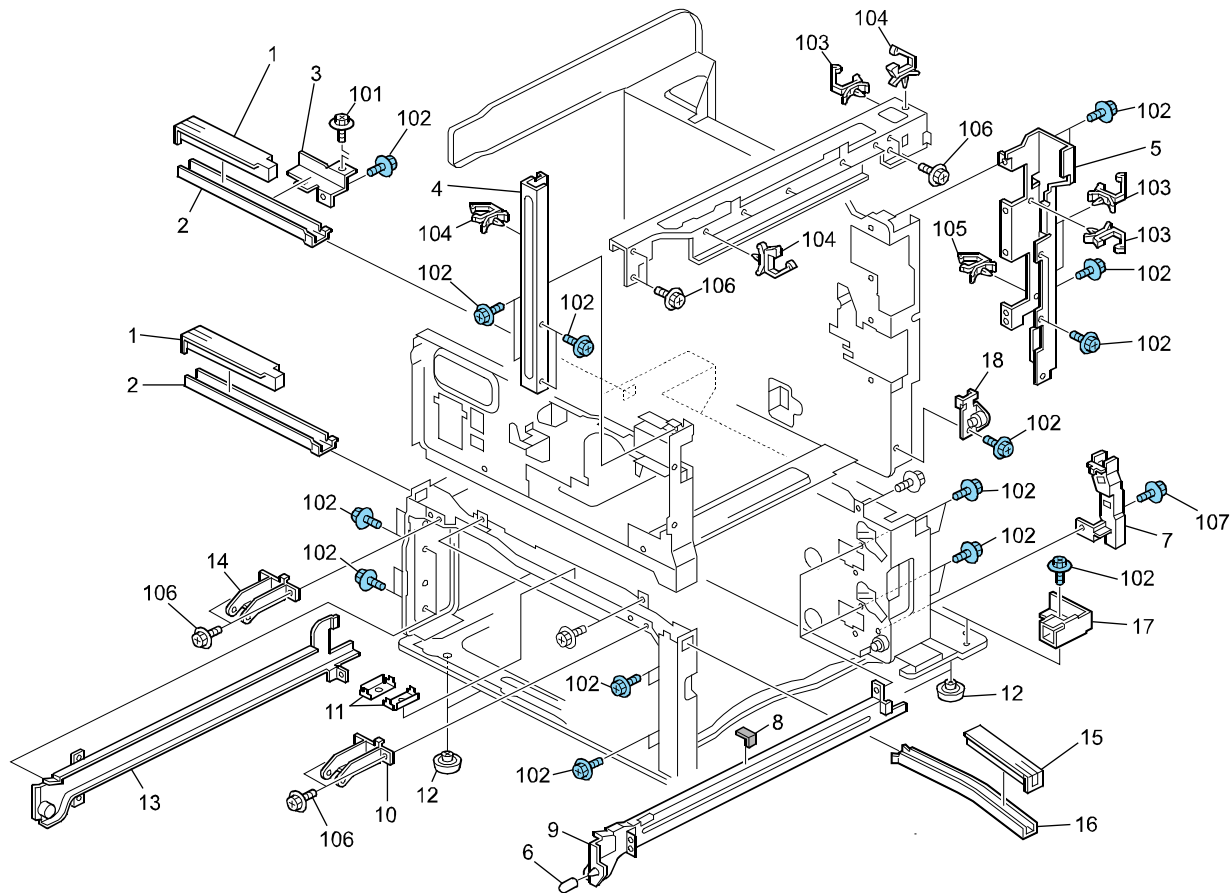
33.Electrical Section 5 (D182/D183/D184)



34. Controller Section (D182/D183/D184)



35.Frame Section (D182/D183/D184)

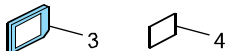


36.Controller Option 1 (D182/D183/D184)

Scanner Enhance Option Type M7 (D757-42,43,44,45)



PostScript3 Unit Type M7 (D757-51,52,53)



SD card for NetWare printing Type M7 (D758-31)



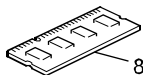
Browser Unit Type M7 (D758-41,42,43)



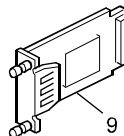
OCR Unit Type M2 (D166-24,25,26)



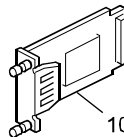
Memory Unit Type M1 1.5GB (D701-08)



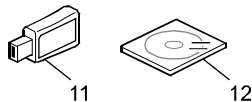
File Format Converter Type E (D377-04)



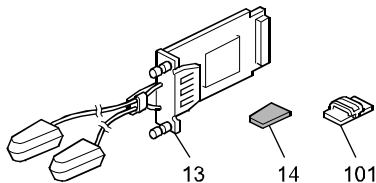
IEEE 1284 Interface Board Type A (B679-17)



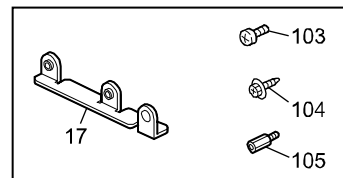
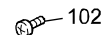
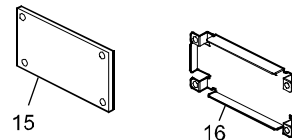
Bluetooth Interface Unit Type D (D566-01)



IEEE 802.11a/g/n Interface Unit Type M2 (D164-01)



Copy Data Security Unit Type G (D640-41)



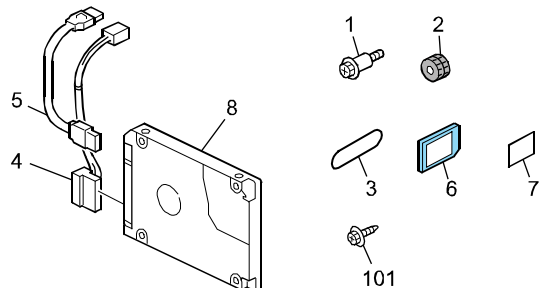
36.Controller Option 1 (D182/D183/D184)

Index No.	Part No.	Description	Q'ty Per Assembly
1	D1491551	SHEET:APPLICATION:SCANNER:EU (for EU)	1
1	D1491546	SHEET:APPLICATION:SCANNER:NA (for AA)	1
1	D1491566	SHEET:APPLICATION:SCANNER:CHN (for CHN)	1
1	D1491571	SHEET:APPLICATION:SCANNER:TWN (for TWN)	1
2	D7575041	SD-CARD:SCN:ORV-C2:EXP:ASS'Y	1
3	D7575051	SD-CARD:PS3:ORV-C2:EXP:ASS'Y	1
4	GA003264	DECAL:PS3:I-GRAY	1
5	D7585031	SD-CARD:NETWARE:ORV-C2:EXP:ASS'Y	1
6	D7585041	SD-CARD:MFPBROWSER:ORV-C2:EXP:ASS'Y	1
7	D1665024	SD-CARD:OCR:EXP:ASS'Y	1
8	M1295245	PCB:DDR3-DIMM:RC-A:1.5GB:ASS'Y	1
9	D3775603	PCB:MLB32	1
10	B5955670	PCB:IEEE1284:ASS'Y	1
11	D5665400	MODULE:BLUETOOTH:USB	1
12	D5667002	CD-ROM:BLUETOOTH:OI:EXP:ASS'Y	1
13	D1645200	PCB:WLAN-PPEM1:ASS'Y	1
14	D3775698	VELCRO FASTENER:COVER:ANTENNA:250	2
15	B8295106	PCB:ICIB-3	1
16	B8295810	BRACKET:ICIB:ALEX	1
17	D1175913	BRACKET:ICIB:GRIFFIN-C1	1

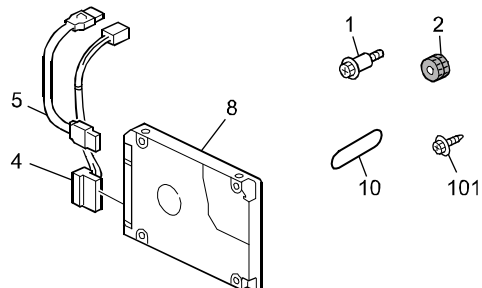
Index No.	Part No.	Description	Q'ty Per Assembly
101	11050688	CLAMP:KS-15	
102	03530040N	SCREW:M3X4	
103	03530060N	SCREW:M3X6	
104	04503008N	TAPPING SCREW:3X8	
105	11050783	SPACER:SQ-7	

37.Controller Option 2 (D182/D183/D184)

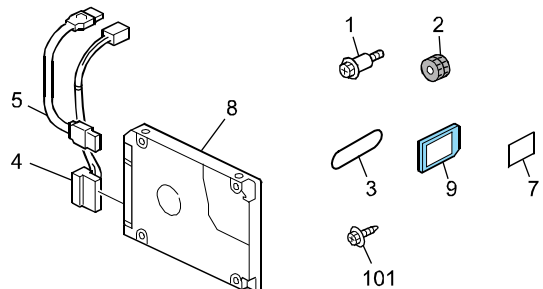
Printer/Scanner Unit Type M7 (D757-22,23,24,25)



Hard Disk Drive Option Type M7 (D758-11)



Printer Unit Type M7 (D757-32,33,34,35)



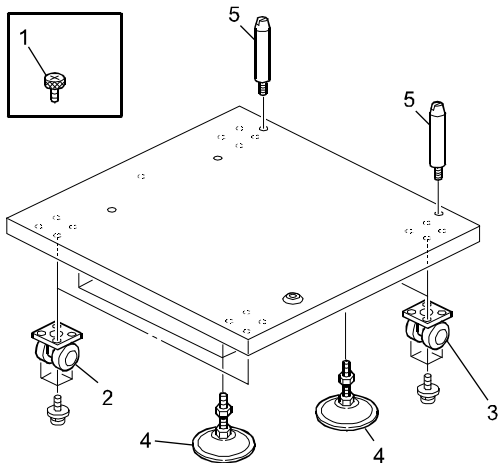
37.Controller Option 2 (D182/D183/D184)

Index No.	Part No.	Description	Q'ty Per Assembly
1	AA143848	FLANGED HEXAGONAL HEAD BOLT:HDD UNIT:M3X3	4
2	AA161125	BUSHING:HDD	4
3	D1491549	SHEET:APPLICATION:DOC:EU (DOC, for EU)	1
3	D1491551	SHEET:APPLICATION:SCANNER:EU (SCANNER, for EU)	1
3	D1491552	SHEET:APPLICATION:PRINTER:EU (PRINTER, for EU)	1
3	D1491544	SHEET:APPLICATION:DOC:NA (DOC, for AA)	1
3	D1491546	SHEET:APPLICATION:SCANNER:NA (SCANNER, for AA)	1
3	D1491547	SHEET:APPLICATION:PRINTER:NA (PRINTER, for AA)	1
3	D1491564	SHEET:APPLICATION:DOC:CHN (DOC, for CHN)	1
3	D1491566	SHEET:APPLICATION:SCANNER:CHN (SCANNER, for CHN)	1
3	D1491567	SHEET:APPLICATION:PRINTER:CHN (PRINTER, for CHN)	1
3	D1491569	SHEET:APPLICATION:DOC:TWN (DOC, for TWN)	1
3	D1491571	SHEET:APPLICATION:SCANNER:TWN (SCANNER, for TWN)	1
3	D1491572	SHEET:APPLICATION:PRINTER:TWN (PRINTER, for TWN)	1
4	D1825260	CABLE:HDD:SATA:POWER_3P:70	1
5	D1825261	CABLE:HDD:SATA:RED_105:ORV-C2	1
6	D1825524	SD-CARD:PRT/SCN:ORV-C2:EXP:ASS'Y	1
7	GA003268	DECAL:PDF-I-GRAY:ABS	1
8	M1245765	HDD:TOSHIBA:250GB:PHL	1
9	D7575031	SD-CARD:P_OPTION:ORV-C2:EXP:ASS'Y	1
10	D1491544	SHEET:APPLICATION:DOC:NA (for AA)	1
10	D1491549	SHEET:APPLICATION:DOC:EU (for EU)	1
10	D1491564	SHEET:APPLICATION:DOC:CHN (for CHN)	1
10	D1491569	SHEET:APPLICATION:DOC:TWN (for TWN)	1

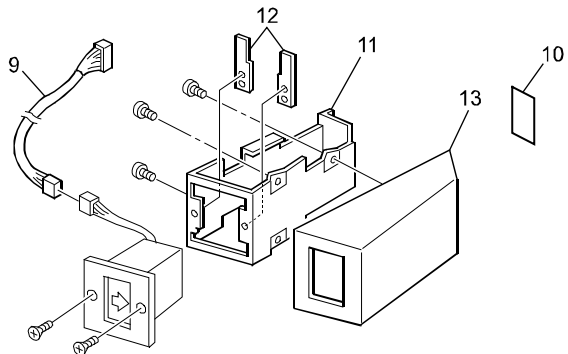
Index No.	Part No.	Description	Q'ty Per Assembly
101	04513006N	TAPPING SCREW:3X6	

38. Other Option 1 (D182/D183/D184)

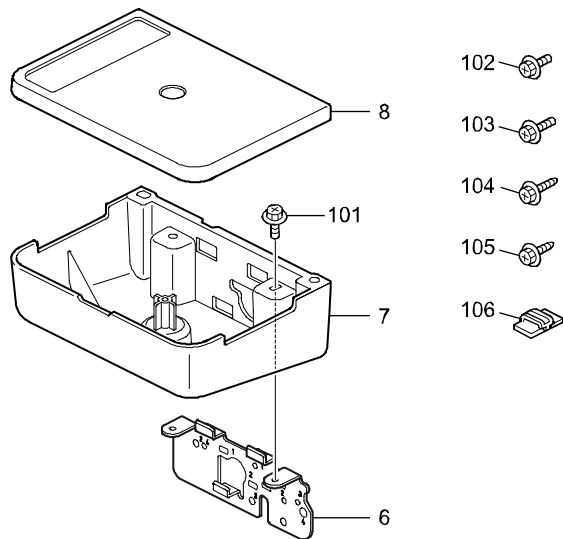
Caster Table Type D (D593-11)



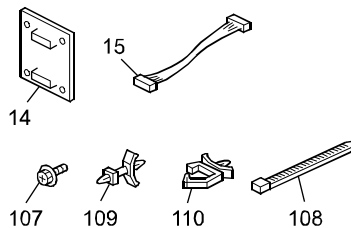
Key Counter Bracket Type H (A674-05)



Card Reader Bracket Type 3352 (D593-61)

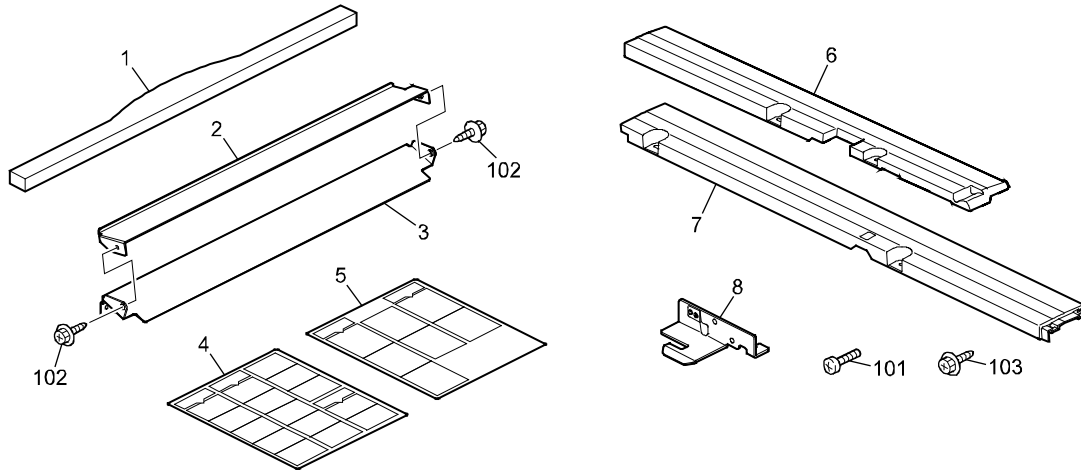


Optional Counter Interface Unit Type A (B870-11)



39. Other Option 2 (D182/D183/D184)

Finisher Adapter Type M7(D687-41)



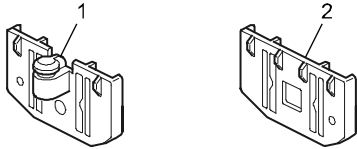
39. Other Option 2 (D182/D183/D184)

Index No.	Part No.	Description	Q'ty Per Assembly
1	D6867010	CUSHION:SPACER	1
2	D6867192	GUIDE PLATE:CONNECTING:UPPER	1
3	B4082191	GUIDE PLATE:CONNECTING:LOWER	1
4	D6867821	DECAL:MISFEED REMOVAL:BIND:YES:ORVAL (for SR3150)	1
5	D6877821	DECAL:MISFEED REMOVAL:BIND:NO:ORVAL (for SR3140)	1
6	D6867022	COVER:RIGHT SIDEWAYS:UPPER	1
7	D6867021	COVER:RIGHT SIDEWAYS:LOWER	1
8	D6861455	BRACKET:COUPLING:GROUND PLATE:REAR:ASS'Y	1

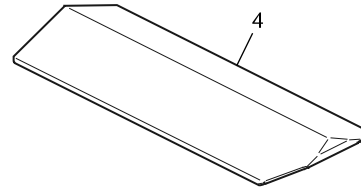
Index No.	Part No.	Description	Q'ty Per Assembly
101	03140250N	PAN HEAD SCREW:M4X25	
102	04543006Q	TAPPING SCREW:3X6	
103	04543008N	TAPPING SCREW:ROUND POINT:3X8	

40. Troubleshooting Parts (D182/D183/D184)

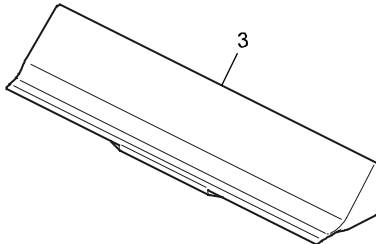
Converting the ARDF DF3090 (D779) to Contact Scanning



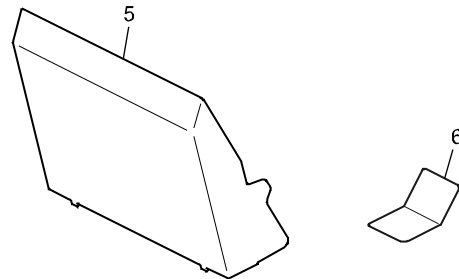
Early Paper Full Detection at the 1000-sheet Finisher



Jammed Paper at the Bridge Unit



Stacking Problem at the 1000-sheet Finisher

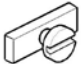





40.Troubleshooting Parts (D182/D183/D184)

Index No.	Part No.	Description	Q'ty Per Assembly
1	D6843554	GUIDE:SCANNING:FRONT	1
2	D6843553	GUIDE:SCANNING:INNER BACK	1
3	D5844656	EXTENSION TRAY:EXIT:STAND	1
4	D6886141	PROOF TRAY:AUXILIARY	1
5	D6107631	TRAY:AUXILIARY:SHIFT TRAY	1
6	D6866611	SHEET:PROTECTION:TRAY	2

Index No.	Part No.	Description	Q'ty Per Assembly

41. Special Tools (D182/D183/D184)

1 	2 	3 	4 

**D182/D183/D184
PARTS INDEX**

This section shows you the part numbers and descriptions used on this machine.

Parts Index

Part No.	Description	Page and Index No.
03130060N	PAN HEAD SCREW:M3X6	15 - 104
03130350N	PAN HEAD SCREW:M3X35	67 - 104
03140120N	PAN HEAD SCREW:M4X12	11 - 102
03140250N	PAN HEAD SCREW:M4X25	79 - 101
03520030N	SCREW:M2X3	9 - 101
03530030N	SCREW:M3X3	11 - 101
03530030N	SCREW:M3X3	13 - 104
03530040N	SCREW:M3X4	9 - 102
03530040N	SCREW:M3X4	41 - 101
03530040N	SCREW:M3X4	49 - 104
03530040N	SCREW:M3X4	73 - 102
03530060N	SCREW:M3X6	13 - 103
03530060N	SCREW:M3X6	15 - 105
03530060N	SCREW:M3X6	31 - 102
03530060N	SCREW:M3X6	69 - 102
03530060N	SCREW:M3X6	73 - 103
03603006N	SCREW:M3X6	11 - 103
03603006N	SCREW:M3X6	13 - 102
03603006N	SCREW:M3X6	15 - 101
03603006N	SCREW:M3X6	31 - 105
03603006N	SCREW:M3X6	35 - 101
03603006N	SCREW:M3X6	37 - 101
03603006N	SCREW:M3X6	53 - 107
03603008N	SCREW:M3X8	77 - 101
03603014N	SCREW:M3X14	77 - 102
03603025N	SCREW:M3X25	77 - 103
04503008N	TAPPING SCREW:3X8	73 - 104
04504008N	TAPPING SCREW:4X8	17 - 101
04513006N	TAPPING SCREW:3X6	15 - 109
04513006N	TAPPING SCREW:3X6	19 - 101
04513006N	TAPPING SCREW:3X6	21 - 101
04513006N	TAPPING SCREW:3X6	23 - 101
04513006N	TAPPING SCREW:3X6	27 - 104
04513006N	TAPPING SCREW:3X6	29 - 102

Part No.	Description	Page and Index No.
04513006N	TAPPING SCREW:3X6	39 - 104
04513006N	TAPPING SCREW:3X6	41 - 102
04513006N	TAPPING SCREW:3X6	43 - 102
04513006N	TAPPING SCREW:3X6	45 - 102
04513006N	TAPPING SCREW:3X6	47 - 101
04513006N	TAPPING SCREW:3X6	49 - 102
04513006N	TAPPING SCREW:3X6	51 - 105
04513006N	TAPPING SCREW:3X6	53 - 105
04513006N	TAPPING SCREW:3X6	55 - 106
04513006N	TAPPING SCREW:3X6	59 - 101
04513006N	TAPPING SCREW:3X6	61 - 101
04513006N	TAPPING SCREW:3X6	63 - 101
04513006N	TAPPING SCREW:3X6	65 - 102
04513006N	TAPPING SCREW:3X6	67 - 105
04513006N	TAPPING SCREW:3X6	69 - 101
04513006N	TAPPING SCREW:3X6	71 - 106
04513006N	TAPPING SCREW:3X6	75 - 101
04513006N	TAPPING SCREW:3X6	77 - 107
04513008N	TAPPING SCREW:3X8	3 - 103
04513008N	TAPPING SCREW:3X8	5 - 101
04513008N	TAPPING SCREW:3X8	7 - 101
04513008N	TAPPING SCREW:3X8	23 - 104
04513008N	TAPPING SCREW:3X8	41 - 109
04513008N	TAPPING SCREW:3X8	51 - 101
04513008P	TAPPING SCREW:3X8	5 - 103
04513008P	TAPPING SCREW:3X8	7 - 102
04513030N	TAPPING SCREW:3X30	65 - 101
04514008N	TAPPING SCREW:4X8	71 - 101
04514035N	TAPPING SCREW:4X35	65 - 105
04514035N	TAPPING SCREW:4X35	77 - 104
04523006N	BINDING SELF-TAPPING SCREW:3X6	31 - 103
04533008N	BINDING SELF TAPPING SCREW:3X8	17 - 102
04543006Q	TAPPING SCREW:3X6	5 - 104
04543006Q	TAPPING SCREW:3X6	21 - 106
04543006Q	TAPPING SCREW:3X6	23 - 103

Part No.	Description	Page and Index No.
04543006Q	TAPPING SCREW:3X6	29 - 103
04543006Q	TAPPING SCREW:3X6	33 - 101
04543006Q	TAPPING SCREW:3X6	39 - 103
04543006Q	TAPPING SCREW:3X6	45 - 104
04543006Q	TAPPING SCREW:3X6	49 - 107
04543006Q	TAPPING SCREW:3X6	53 - 104
04543006Q	TAPPING SCREW:3X6	55 - 101
04543006Q	TAPPING SCREW:3X6	57 - 102
04543006Q	TAPPING SCREW:3X6	65 - 104
04543006Q	TAPPING SCREW:3X6	67 - 102
04543006Q	TAPPING SCREW:3X6	71 - 102
04543006Q	TAPPING SCREW:3X6	79 - 102
04543008N	TAPPING SCREW:ROUND POINT:3X8	79 - 103
04543008Q	TAPPING SCREW:3X8	19 - 102
04543008Q	TAPPING SCREW:3X8	31 - 101
04543008Q	TAPPING SCREW:3X8	53 - 101
04543008Q	TAPPING SCREW:3X8	57 - 103
04543008Q	TAPPING SCREW:3X8	71 - 107
04593010N	BINDING HEAD TAPPING SCREW:3X10	9 - 103
07200030E	RETAINING RINGS-E:3	35 - 106
07200030E	RETAINING RINGS-E:3	37 - 106
07200030E	RETAINING RINGS-E:3	41 - 104
07200030E	RETAINING RINGS-E:3	45 - 103
07200040E	RETAINING RINGS-E:4	13 - 101
07200040E	RETAINING RINGS-E:4	21 - 104
07200040E	RETAINING RINGS-E:4	39 - 102
07200040E	RETAINING RINGS-E:4	41 - 107
07200040E	RETAINING RINGS-E:4	53 - 102
07200060E	RETAINING RINGS-E:6	35 - 103
07200060E	RETAINING RINGS-E:6	49 - 101
07200060E	RETAINING RINGS-E:6	55 - 103
07200080E	RETAINING RINGS-E:8	17 - 103
07250300E	RETAINING RINGS-C:30	35 - 102
08025299	TAPPING SCREW:WASHER:3X8	67 - 112
08025312	TAPPING SCREW:WASHER:3X10	15 - 103

Part No.	Description	Page and Index No.
08025312	TAPPING SCREW:WASHER:3X10	27 - 101
08025317	BINDING HEAD TAPPING SCREW:ES:3X8	27 - 103
08025317	BINDING HEAD TAPPING SCREW:ES:3X8	29 - 104
08025318	BINDING HEAD TAPPING SCREW:ES:3X10	3 - 101
08025318	BINDING HEAD TAPPING SCREW:ES:3X10	27 - 102
08025319	HEXAGON HEAD TAPPING SCREW:ES:3X8	3 - 104
08025319	HEXAGON HEAD TAPPING SCREW:ES:3X8	5 - 102
08025319	HEXAGON HEAD TAPPING SCREW:ES:3X8	7 - 103
08025319	HEXAGON HEAD TAPPING SCREW:ES:3X8	21 - 102
08025319	HEXAGON HEAD TAPPING SCREW:ES:3X8	25 - 101
08025319	HEXAGON HEAD TAPPING SCREW:ES:3X8	29 - 101
08025319	HEXAGON HEAD TAPPING SCREW:ES:3X8	31 - 104
08025319	HEXAGON HEAD TAPPING SCREW:ES:3X8	33 - 102
08025319	HEXAGON HEAD TAPPING SCREW:ES:3X8	41 - 106
08025319	HEXAGON HEAD TAPPING SCREW:ES:3X8	43 - 101
08025319	HEXAGON HEAD TAPPING SCREW:ES:3X8	45 - 101
08025319	HEXAGON HEAD TAPPING SCREW:ES:3X8	47 - 102
08025319	HEXAGON HEAD TAPPING SCREW:ES:3X8	51 - 103
08025320	HEXAGON HEAD TAPPING SCREW:ES:3X10	3 - 102
08025320	HEXAGON HEAD TAPPING SCREW:ES:3X10	35 - 105
08025320	HEXAGON HEAD TAPPING SCREW:ES:3X10	37 - 105
08025320	HEXAGON HEAD TAPPING SCREW:ES:3X10	39 - 101
08025320	HEXAGON HEAD TAPPING SCREW:ES:3X10	77 - 105
08025322	HEXAGON HEAD TAPPING SCREW:ES:3X12	17 - 104
08046123	HEXAGONAL BOLT:W/WASHER:M3X8	11 - 104
08046123	HEXAGONAL BOLT:W/WASHER:M3X8	13 - 105
08046123	HEXAGONAL BOLT:W/WASHER:M3X8	15 - 102
08046127	HEXAGONAL BOLT:DOUBLE SCREW:M3X8	35 - 104
08046127	HEXAGONAL BOLT:DOUBLE SCREW:M3X8	37 - 102
08050088	RETAINING RINGS-E:SILENCER:DIA6	55 - 104
08050089	RETAINING RINGS-E:SILENCER:DIA4	21 - 103
08050089	RETAINING RINGS-E:SILENCER:DIA4	25 - 102
08050089	RETAINING RINGS-E:SILENCER:DIA4	41 - 103
08050089	RETAINING RINGS-E:SILENCER:DIA4	43 - 103
08050089	RETAINING RINGS-E:SILENCER:DIA4	45 - 105

Part No.	Description	Page and Index No.
08050089	RETAINING RINGS-E:SILENCER:DIA4	51 - 102
08050089	RETAINING RINGS-E:SILENCER:DIA4	53 - 106
08050089	RETAINING RINGS-E:SILENCER:DIA4	55 - 105
08050092	RETAINING RINGS-E:SILENCER:DIA3	67 - 109
08050097	RING SEPARATOR	49 - 108
08050106	RETAINING RINGS-E:SILENCER:DIA6	15 - 106
09504006N	SCREW:SPRING WASHER:M4X6	67 - 107
09543006N	SCREW:POLISHED ROUND/SPRING:M3X6	55 - 102
09543012N	SCREW:POLISHED ROUND/SPRING:M3X12	37 - 104
09543030N	SCREW:POLISHED ROUND/SPRING:M3X30	59 - 104
11024431	CONNECTOR:292254-8	51 - 106
11026260	CONNECTOR:3P	37 - 103
11028502	CONNECTOR:54679-1619	59 - 105
11028534	CONNECTOR:QR/P17-14S-B(51)	57 - 101
11029782	CONNECTOR:51405-1819	61 - 102
11050046	WIRE BINDER	77 - 108
11050195	12.7MM:V-0	77 - 109
11050296	KGLS-16RT	67 - 111
11050415	MM:V-0:WHITE	17 - 105
11050487	CLAMP:LWS-0511Z	57 - 104
11050487	CLAMP:LWS-0511Z	61 - 106
11050487	CLAMP:LWS-0511Z	63 - 104
11050488	CLAMP:LWS-1211Z	11 - 106
11050488	CLAMP:LWS-1211Z	61 - 103
11050490	CLAMP:LWS-2218Z	63 - 105
11050499	KGPS-12RF	63 - 102
11050508	CLAMP:LWS-0711Z	61 - 104
11050508	CLAMP:LWS-0711Z	65 - 107
11050508	CLAMP:LWS-0711Z	77 - 110
11050518	CLAMP:LES-1010	47 - 103
11050551	CLAMP:LES-1010	49 - 105
11050551	CLAMP:LES-1010	51 - 104
11050582	CLAMP:RBWS-0510D-V0	9 - 104
11050653	CLAMP:RLWS-2T V0	9 - 105
11050688	CLAMP:KS-15	73 - 101

Part No.	Description	Page and Index No.
11050688	CLAMP:KS-15	77 - 106
11050701	KGPS-16RF-V2	67 - 108
11050723	CLAMPS:WES-0507	9 - 106
11050723	CLAMPS:WES-0507	23 - 102
11050723	CLAMPS:WES-0507	41 - 108
11050724	CLAMPS:WES-1210	9 - 107
11050724	CLAMPS:WES-1210	11 - 105
11050724	CLAMPS:WES-1210	65 - 106
11050725	CLAMPS:WES-1117	61 - 107
11050726	CLAMPS:WES-2217	59 - 106
11050754	CLAMP:RACCD86-236AS	67 - 106
11050758	CLAMP:LWSM-0306A	11 - 107
11050758	CLAMP:LWSM-0306A	15 - 107
11050758	CLAMP:LWSM-0306A	21 - 105
11050758	CLAMP:LWSM-0306A	39 - 105
11050758	CLAMP:LWSM-0306A	41 - 105
11050758	CLAMP:LWSM-0306A	49 - 103
11050758	CLAMP:LWSM-0306A	51 - 107
11050758	CLAMP:LWSM-0306A	53 - 103
11050758	CLAMP:LWSM-0306A	55 - 107
11050758	CLAMP:LWSM-0306A	57 - 105
11050758	CLAMP:LWSM-0306A	59 - 102
11050758	CLAMP:LWSM-0306A	61 - 105
11050758	CLAMP:LWSM-0306A	65 - 103
11050758	CLAMP:LWSM-0306A	67 - 110
11050758	CLAMP:LWSM-0306A	71 - 104
11050759	CLAMP:LWSM-0605A	11 - 108
11050759	CLAMP:LWSM-0605A	71 - 105
11050760	CLAMP:LWSM-0511A	49 - 106
11050760	CLAMP:LWSM-0511A	59 - 103
11050760	CLAMP:LWSM-0511A	61 - 108
11050760	CLAMP:LWSM-0511A	69 - 103
11050760	CLAMP:LWSM-0511A	71 - 103
11050762	CLAMP:LWS-0711A	15 - 108
11050783	SPACER:SQ-7	73 - 105

Part No.	Description	Page and Index No.
11500409	POWER SUPPLY CODE:125V:15A:TWN (for TWN)	67 - 101
11500427	POWER SUPPLY CODE:125V:15A:NA (for NA)	67 - 101
11500456	POWER SUPPLY CODE:250V:10A:CHN (for CHN)	67 - 101
12042510	MICRO SWITCH:V-16330K-3C25	67 - 103
14077677	EEPROM:BR24T64-W	63 - 103
52054527	SPRING - EXIT	43 - 11
52062686	SNAP RING	21 - 36
52152621	SNAP RING - M6	23 - 8
54472681	SNAP RING	23 - 18
54472681	SNAP RING	33 - 23
54472681	SNAP RING	55 - 24
A1843422	SHAFT:SLIDE	29 - 4
A1849501	SCANNER POSITIONING PIN (2pcs/set)	83 - 4
A2309003	ADJUSTMENT CAM - LASER UNIT	83 - 1
A2322374	GUIDE:PAPER:RAIL:PCU	35 - 23
A2322987	ROLLER:PAPER TRAY	17 - 19
A2501752	EXPOSURE GLASS	11 - 10
A2579300	GREASE BARRIERTA - JFE 5 5/2	83 - 3
A2671059	SEAL:REMOVER/INSTALL:PCU	29 - 12
A2672857	SPRING PLATE:SIDE FENCE:POSITIONING	17 - 10
A2672859	STOPPER:POSITIONING	17 - 11
A2673194	COMPRESSION SPRING:SHUTTER:PCU	31 - 18
A2673556	SPRING:CHUCK:TONER BOTTLE	29 - 5
A2679002	POSITIONING PIN - LASER UNIT	83 - 2
A6745404	HARNESS:KEY COUNTER	77 - 9
A6745811	DUAL FACES TAPE:KEY COUNTER HOLDER	77 - 10
AA000273	SEAL:REVERSE ROLLER	41 - 11
AA000277	DECAL:MAIN SWITCH:ON/STANDBY:DOM:NA (for NA/AA/KOR)	3 - 15
AA000279	DECAL:MAIN SWITCH:ON/STANDBY:EU (for EU/TWN/CHN)	3 - 15
AA001564	PLATE:LOGOTYPE:RIC	3 - 17
AA001565	PLATE:LOGOTYPE:LAN	3 - 17
AA001567	PLATE:LOGOTYPE:GES	3 - 17
AA043323	TIMING BELT:40S2M120	49 - 9

Part No.	Description	Page and Index No.
AA043584	TIMING BELT:S2M288	45 - 18
AA043584	TIMING BELT:S2M288	47 - 17
AA043648	SYNCHRONOUS BELT:S3M:150	41 - 6
AA043671	SYNCHRONOUS BELT:TRANSPORT: S3M:5X387	55 - 8
AA043673	SYNCHRONOUS BELT:FUSING:S3M:5X288	53 - 10
AA043674	SYNCHRONOUS BELT:S2M:288	55 - 11
AA060691	SPRING:PRESSURE:PICKUP	21 - 23
AA060693	SPRING:PRESSURE:SEPARATE	21 - 31
AA061003	TENSION SPRING:SIDE FENCE:REAR	17 - 14
AA061014	TENSION SPRING:GRIP	17 - 23
AA061105	TENSION SPRING:LEVER:DUPLX	47 - 13
AA062259	SPRING:RELEASE	21 - 9
AA063475	COMPRESSION SPRING:ROLLER:DRIVEN	45 - 5
AA063476	COMPRESSION SPRING:DOOR SWITCH	67 - 6
AA063478	COIL SPRING:REVERSE ROLLER:DRIVEN	41 - 23
AA063697	COMPRESSION SPRING:STRIPPER PAWLS	35 - 5
AA063698	SPRING:FLANGE:PRESSURE ROLLER	35 - 16
AA063699	COMPRESSION SPRING:FUSING CLEANING ROLLER:5N	37 - 16
AA066410	TORSION SPRING:STOPPER:CONTACT POINT	49 - 7
AA066411	SPRING:RELEASE:DRIVE	37 - 20
AA066412	TENSION SPRING:PRESSURE:34.2N	35 - 6
AA066414	COIL SPRING:GATE PAWL:LOWER	43 - 2
AA066415	COIL SPRING:LINK:GATE PAWL:LOWER	41 - 25
AA066416	TORSION SPRING:STOPPER	49 - 4
AA066418	SPRING:OPEN AND CLOSE:GUIDE	35 - 3
AA080156	PLAIN SHAFT BEARING - M4	43 - 5
AA080254	PLAIN SHAFT BEARING:PRESSURE:MM4	45 - 4
AA080297	PLAIN SHAFT BEARING:DIA4	41 - 22
AA080390	BUSHING:TRANSFER ROLLER:FRONT	33 - 22
AA080391	PLAIN SHAFT BEARING:TRANSFER ROLLER:REAR	33 - 6
AA082073	PLAIN SHAFT BEARING:FUSING CLEANING ROLLER	37 - 15

AA082116	PLAIN SHAFT BEARING:MM8	23 - 10	AB010404	GEAR:FUSING:NO.2	53 - 15
AA082118	PLAIN SHAFT BEARING:MM6	21 - 41	AB010406	GEAR:TRANSPORT:NO.2	55 - 7
AA082118	PLAIN SHAFT BEARING:MM6	39 - 24	AB011218	GEAR:ROLLER CLUTCH	21 - 19
AA082118	PLAIN SHAFT BEARING:MM6	41 - 9	AB011252	GEAR:IDLER:PICKUP	21 - 15
AA082118	PLAIN SHAFT BEARING:MM6	45 - 21	AB011295	GEAR:TRANSPORT ROLLER	49 - 3
AA082118	PLAIN SHAFT BEARING:MM6	49 - 6	AB011296	GEAR:IDLER:DUPLEX:EXIT	49 - 8
AA082118	PLAIN SHAFT BEARING:MM6	51 - 23	AB011297	GEAR:EXIT ROLLER	39 - 14
AA082144	PLAIN SHAFT BEARING:DIA8XDIA12X7	15 - 18	AB011298	GEAR:REVERSE ROLLER	41 - 4
AA082152	BUSHING:DIA6	21 - 11	AB011400	GEAR:HOT ROLLER	35 - 12
AA082154	BUSHING:DIA6:DIA10:9	21 - 20	AB011402	GEAR - 14Z	31 - 6
AA082154	BUSHING:DIA6:DIA10:9	45 - 22	AB011403	GEAR - 13Z	31 - 5
AA100014	EXTERNAL CIRCLIP:SEPARATE	21 - 16	AB011565	GEAR:FUSING:IDLER	53 - 3
AA120146	DISCHARGE BRUSH:EXIT	39 - 5	AB011567	GEAR:EXIT:DRIVE	53 - 2
AA140794	SHAFT:PRESSURE:CHANGE	37 - 8	AB011568	GEAR:IDLER:PAPER FEED:VERTICAL	
AA143219	STEPPED SCREW	35 - 21		TRANSPORT	55 - 12
AA143301	STEPPED SCREW - M3X4	53 - 8	AB030847	PULLEY:TRANSPORT ROLLER:ENTRANCE	45 - 17
AA143444	STEPPED SCREW	31 - 8	AB030848	PULLEY:TRANSPORT ROLLER	49 - 20
AA143537	SCREW:M3:BLACK	5 - 12	AB030849	PULLEY:TRANSPORT ROLLER:REVERSE	41 - 14
AA143537	SCREW:M3:BLACK	11 - 11	AB030853	TIMING PULLEY:19T:GEAR:Z24	41 - 5
AA143575	FLAT SCREW:KNOB SCREW:M4X10	77 - 1	AB030855	PULLEY:FUSING:NO.1	53 - 14
AA143792	SCREW:DRAWER	37 - 34	AB030856	PULLEY:FUSING:NO.2	53 - 11
AA143848	FLANGED HEXAGONAL HEAD BOLT:HDD		AB030857	PULLEY:TRANSPORT:NO.1	55 - 6
	UNIT:M3X3 (SP Model)	69 - 9	AB030858	PULLEY:GEAR: ELECTROMAGNETIC CLUTCH:	
AA143848	FLANGED HEXAGONAL HEAD BOLT:HDD			CONNECTING	55 - 2
	UNIT:M3X3	75 - 1	AB030859	PULLEY:CONNECTING:PAPER FEED:	
AA145818	SHAFT:ROLLER:TENSION	43 - 6		REGISTRATION	55 - 10
AA150708	SHEET:DISCHARGE:TRANSFER:FRONT	33 - 5	AB030860	PULLEY:PAPER FEED:NO.2	55 - 13
AA150709	SHEET:DISCHARGE:TRANSFER:REAR	33 - 21	AC015052	SHIELD GLASS	27 - 5
AA161125	BUSHING:HDD (SP Model)	69 - 10	AC030169	MIRROR:NO.1	13 - 12
AA161125	BUSHING:HDD	75 - 2	AD027018	ROLLER:CHARGE:A3	31 - 7
AA161163	CUSHION:SEPARATE	71 - 8	AD041114	BLADE:CLEANING	31 - 4
AB010156	GEAR:SEPARATE:DRIVE	21 - 33	AD042058	CHARGE CLEANER BRUSH ROLLER	31 - 9
AB010157	GEAR:SEPARATE:DRIVEN	21 - 30	AE011128	HOT ROLLER:DIA40:T0.4	35 - 14
AB010161	GEAR:Z31	41 - 10	AE020161	PRESSURE ROLLER:MM27	35 - 15
AB010162	GEAR:IDLER	41 - 8	AE030030	BALL BEARING:8*19*6	35 - 17

Part No.	Description	Page and Index No.
AE042029	FUSING CLEANING ROLLER	37 - 14
AE044025	PICKOFF PAWL:FUSING	35 - 4
AF020754	TRANSPORT ROLLER:DUPLEX:EXIT	49 - 1
AF020755	TRANSPORT ROLLER:DUPLEX:ENTRANCE	45 - 2
AF020756	TRANSPORT ROLLER:DUPLEX:CONNECTING	45 - 1
AF020757	EXIT ROLLER	39 - 15
AF020758	REVERSE ROLLER	41 - 1
AF020759	TRANSPORT ROLLER:REVERSE	41 - 15
AF020763	REGISTRATION ROLLER:DRIVE:DIA18.21: ASS'Y	23 - 3
AF020764	TRANSPORT ROLLER:DRIVE	21 - 10
AF020778	REVERSE ROLLER:DRIVEN	41 - 21
AF021087	REGISTRATION ROLLER:DRIVEN:ASS'Y	23 - 4
AF022180	ROLLER:DRIVEN	39 - 23
AF025045	GATE PAWL:LOWER	43 - 1
AF030090	PAPER FEED ROLLER:PICKUP	21 - 14
AF031060	PAPER FEED ROLLER:MANUAL FEED	51 - 18
AF031090	PAPER FEED ROLLER:FEED	21 - 18
AF032090	PAPER FEED ROLLER:SEPARATE	21 - 27
AF033008	FRICTION PAD:10X50	25 - 5
AF033010	PAD	17 - 2
AF040059	ROLLER:TENSION	39 - 6
AF040060	ROLLER:TENSION:OUTER	39 - 8
AG070504	MAGNET CATCH:44.1N:ASS'Y	3 - 10
AG070514	MAGNET CATCH:ASS'Y	33 - 15
AH010009	RUBBER FOOT:H5	71 - 12
AH012013	STOPPER CASTER - 60KGF	77 - 2
AH012014	CASTER - 60KGF	77 - 3
AW010122	REFLECTION PHOTO SENSOR:PAPER FEED	21 - 7
AW010128	REFLECTION PHOTO SENSOR:KUA0055A	21 - 5
AW010155	ORIGINAL SENSOR:66MM:3.3V	15 - 5
AW020198	PHOTOINTERRUPTOR:LG2A14NL1	25 - 15
AW020198	PHOTOINTERRUPTOR:LG2A14NL1	39 - 19
AW020198	PHOTOINTERRUPTOR:LG2A14NL1	51 - 3
AW020204	PHOTOINTERRUPTOR:LGRC102	21 - 2

Part No.	Description	Page and Index No.
AW020204	PHOTOINTERRUPTOR:LGRC102	55 - 19
AW020206	PHOTOINTERRUPTOR:DUPLEX	45 - 7
AW020207	PHOTOINTERRUPTOR:FLAT:PICH2MM:M4	11 - 4
AW020214	PHOTOINTERRUPTOR:LG248NL1A	11 - 6
AW100053	THERMISTOR:FUSING:INNER BACK	37 - 27
AW500037	ROTARY SWITCH:PAPER SIZE SENSOR:AMP	25 - 13
AW500038	PUSH SWITCH:PAPER SIZE SENSOR	57 - 8
AX040154	DC MOTOR:RISE:ASS'Y	57 - 4
AX050302	STEPPER MOTOR:TRANSPORT	49 - 15
AX060401	DC STEPPER MOTOR:9.5OHM	41 - 13
AX060402	DC BRUSHLESS MOTOR:MAIN:30.7W	53 - 13
AX060403	DC POLYGON MIRROR MOTOR	27 - 2
AX200324	ELECTROMAGNETIC CLUTCH:0.45N·M:Z44	55 - 9
AX200325	ELECTROMAGNETIC CLUTCH:REGISTRATION: 0.5N·M	55 - 1
AX440352	HEATER:120V:MAIN (for NA)	35 - 9
AX440353	HEATER:120V:SUB (for NA)	35 - 10
AX440354	HEATER:230V:MAIN (for EU/AA/CHN/KOR)	35 - 9
AX440355	HEATER:230V:SUB (for EU/AA/CHN/KOR)	35 - 10
AX440356	HEATER:110V:MAIN (for TWN)	35 - 9
AX440357	HEATER:110V:SUB (for TWN)	35 - 10
AX640170	FAN:MM60:NIDEC:K	59 - 1
AX640170	FAN:MM60:NIDEC:K	65 - 5
AX640208	FAN:MM60:24V	67 - 13
AZ230255	POWER SUPPLY UNIT:247W:DOM/NA:ORV-C1	67 - 16
AZ230257	POWER SUPPLY UNIT:247W:EU/AA/CHN: ORV-C1	67 - 16
AZ320176	POWER PACK:BCTD	63 - 1
B0042783	TORQUE LIMITER:40MN·M:DIA18	21 - 28
B0042923	SPRING PLATE:STOPPER:FRONT	17 - 7
B0241264	MAGNET CATCH:DOOR:FRONT	3 - 13
B0392287	CHARGE ROLLER SPRING	31 - 10
B0392292	FRONT PRESSURE ARM - CHARGE ROLLER	31 - 11
B0392293	PIN - FRONT PRESSURE ARM	31 - 12
B0392335	PICKOFF PAWL	31 - 1

Part No.	Description	Page and Index No.
B0392343	DRUM SHUTTER	31 - 2
B0392350	CLIP - OPC DRUM	31 - 3
B0392628	PAD:MANUAL FEED	25 - 6
B0393060	DEVELOPMENT ROLLER GEAR	31 - 22
B0393062	IDLER GEAR - 16Z	31 - 23
B0399510	OPC DRUM	31 - 27
B0434685	COMPRESSION SPRING:2.8N	51 - 16
B0651374	SHEET:EXPOSURE GLASS	3 - 22
B1215018	CHOKE COIL:B1215018 (for EU/AA/CHN/KOR)	67 - 19
B1219640	DEVELOPER TYPE 28 BLACK	31 - 28
B2232665	SPRING:COVER:MANUAL FEED	19 - 8
B2232676	SPRING:PRESSURE:11N	47 - 10
B2232714	CAP:POSITIONING:SHORT	71 - 6
B2232715	SUPPORTER:RIGHT:ASS'Y	71 - 9
B2232721	BRACKET:PUSH SWITCH	57 - 7
B2232722	COVER:ELECTRICAL COMPONENTS	57 - 5
B2232765	GROUND PLATE:FEED	21 - 21
B2232772	SHEET:HARNESS:PAPER FEED UNIT	21 - 12
B2232776	STAY:FEED	21 - 39
B2232780	DC SOLENOID:PICKUP:ASS'Y	21 - 8
B2232786	GROUND PLATE:FRONT	21 - 13
B2232815	SHAFT:SEPARATE:DRIVE:ASS'Y	21 - 34
B2232865	SHAFT:RISE:NO.1:ASS'Y	17 - 17
B2232868	LEVER:RELEASE:PAPER TRAY:OUTER	17 - 26
B2232910	LINK:PAPER SIZE SENSOR	17 - 20
B2232911	SPACER	17 - 21
B2232918	LEVER:RISE	17 - 16
B2232919	GROUND PLATE:PAPER TRAY:NO.2	17 - 18
B2232934	PLATE:SIDE FENCE	17 - 6
B2232935	PLATE:SIDE FENCE:RIGHT	17 - 5
B2232936	GEAR:16Z	17 - 15
B2234552	PLAIN SHAFT BEARING:DIA4	45 - 11
B2291687	HEATER:120V:9W	13 - 20
B2291688	HEATER:230V:9W	13 - 20
B2381066	COVER:BASE:RUBBER FOOT	57 - 1

Part No.	Description	Page and Index No.
B2381088	COVER:BASE:CONNECTOR	57 - 12
B2381089	COVER:BASE:POSITIONING PIN	57 - 10
B2381762	GROUND PLATE:STEPPER MOTOR	49 - 10
B2381806	PULLEY:IDLER	15 - 4
B2381807	PULLEY	13 - 5
B2384194	ROLLER:LEVER:PRESSURE	37 - 33
B2384717	TENSION SPRING:ARM:COUPLING	55 - 5
B2385891	BRACKET:DRAWER	61 - 1
B2591131	SCREW:PCU	55 - 15
B2593890	DENSITY SENSOR:LASER DIODE:ASS'Y	33 - 17
B2614650	SEPARATION PAD:ASS'Y	51 - 11
B3004566	ROLLER:TENSION:GATE	43 - 3
B4082191	GUIDE PLATE:CONNECTING:LOWER	79 - 3
B4521055	BRACKET:KEY COUNTER HOLDER:ASS'Y	77 - 11
B4521063	PLATE NUT:KEY COUNTER HOLDER	77 - 12
B4521260	COVER:KEY COUNTER HOLDER	77 - 13
B5955670	PCB:IEEE1284:ASS'Y	73 - 10
B8271051	STAND:DIA100:ASS'Y	77 - 4
B8271071	POSITIONING PIN:MACHINE OR COPIER	77 - 5
B8295106	PCB:ICIB-3	73 - 15
B8295810	BRACKET:ICIB:ALEX	73 - 16
B8705102	PCB:MKB:AP-C1	77 - 14
B8705510	HARNESS:IOB:MKB	77 - 15
D0092571	HOLDER:DRIVEN:VERTICAL TRANSPORT	47 - 6
D0092573	PULLEY:DRIVEN:VERTICAL TRANSPORT	47 - 5
D0092574	PULLEY:DRIVEN:IDLER	47 - 4
D0092575	SHAFT:DRIVEN:IDLER	47 - 7
D0092576	SHAFT:DRIVEN:VERTICAL TRANSPORT	47 - 8
D0092836	GUIDE PLATE:SWIVEL	19 - 9
D0094664	DRIVEN ROLLER:DIA16	45 - 3
D0095325	PCB:SYNC DETECTOR	27 - 6
D0095891	RAIL:LEFT:FAX CONTROL UNIT	69 - 3
D0095899	RAIL:RIGHT:SMALL	69 - 2
D0192823	PLAIN SHAFT BEARING: REGISTRATIONROLLER:DRIVEN	23 - 9

Part No.	Description	Page and Index No.
D0291749	PULLEY:PROTECTION	15 - 14
D0292677	TRANSPORT BELT:DRIVEN: VERTICAL TRANSPORT	47 - 3
D0292863	SHAFT:RELEASE:PAPER TRAY	17 - 22
D0391095	GROUND PLATE:SCANNER:STAY: UPPER REAR	59 - 4
D0392711	LEVER:COMPRESSION SPRING: SEPARATION PAD	51 - 15
D0392714	HOLDER:COMPRESSION SPRING: SEPARATION PAD	51 - 14
D0392720	GEAR:CAM:RIGHT	51 - 12
D0392722	GEAR:CAM:LEFT REAR	51 - 21
D0392724	BRACKET:PAPER END SENSOR: MANUAL FEED	51 - 1
D0392725	FEELER:MANUAL FEED	51 - 2
D0392737	FEELER:PAPER:TRAILING EDGE	25 - 11
D0392750	RACK:SIDE FENCE:FRONT	25 - 23
D0392751	RACK:SIDE FENCE:REAR	25 - 8
D0392752	DISC:SIDE FENCE	25 - 7
D0392753	GEAR:SIDE FENCE	25 - 20
D0392754	SPRING:SIDE FENCE	25 - 19
D0392763	PLATE:HARNES:MANUAL FEED	51 - 7
D0392779	SPRING PLATE:EXTENSION TRAY	25 - 17
D0392780	GEAR:ROLLER CLUTCH	51 - 9
D0392781	GEAR:STEPPER MOTOR	49 - 11
D0392786	SHAFT:DRIVE:MANUAL FEED UNIT	51 - 17
D0392788	PIN:SIDE FENCE	25 - 18
D0392789	GEAR:CAM:RIGHT REAR	51 - 8
D0392790	GEAR:FEELER:LEFT	51 - 20
D0392793	CAM:LEFT	51 - 19
D0392796	SHAFT:CAM:ASS'Y	51 - 5
D0392797	TORSION SPRING:PAPER END SENSOR	51 - 4
D0392798	SPRING:BASE:2.5N	25 - 21
D0392799	RETAINING RINGS-C:DIA4	51 - 24
D0392996	HOOK:STOPPER:DUPLEX UNIT:FRONT	47 - 16

Part No.	Description	Page and Index No.
D0392998	SHAFT:GRIP	47 - 14
D0394542	DRIVEN ROLLER:ENTRANCE:DUPLEX	45 - 10
D0394597	TENSION SPRING:DRIVEN ROLLER	45 - 12
D0853616	DC MOTOR:TONER BOTTLE:Z:R-C5.5:ASS'Y	29 - 10
D0892761	ARM:PICKUP	21 - 22
D0892764	GEAR:FEED	21 - 25
D0892767	FEELER:PAPER END	21 - 1
D0892778	BRACKET:SENSOR:FEED	21 - 4
D0892781	BRACKET:SENSOR	21 - 6
D0892819	GEAR:SEPARATOR:INPUT	21 - 35
D0892829	GUIDE:FEED	21 - 17
D0892849	SEAL:TRAY:NO.1	17 - 29
D0892940	TRAY BOTTOM PLATE:ASS'Y (for 2nd tray)	17 - 1
D1175913	BRACKET:ICIB:GRIFFIN-C1	73 - 17
D1201077	BRACKET:GRIP:LEFT REAR	71 - 3
D1201078	FRAME:LENGTHWISE:RIGHT FRONT	71 - 4
D1201079	FRAME:LENGTHWISE:RIGHT REAR	71 - 5
D1201082	BRACKET:GRIP:FRONT:LEFT AND RIGHT	71 - 11
D1201091	BRACKET:BASE	57 - 11
D1201095	TENSION SPRING:DOOR SWITCH	67 - 7
D1201096	BRACKET:CONNECTOR:BASE	57 - 13
D1201097	BRACKET:DUPLEX:LOCK:FRONT:ASS'Y	39 - 20
D1201099	BRACKET:DUPLEX:LOCK:REAR:ASS'Y	39 - 4
D1201102	DUCT:DC FAN MOTOR	65 - 1
D1201104	DUCT:LOWER	65 - 3
D1201105	DUCT:UPPER	65 - 2
D1201106	GUIDE PLATE:DUCT:EXHAUST	65 - 7
D1201108	HOLDER:DUCT	65 - 4
D1201119	BRACKET:PAPER FEED UNIT	19 - 11
D1201129	BRACKET:DC FAN MOTOR:SIROCCO	39 - 25
D1201170	BRACKET:PAPER FEED:VERTICAL TRANSPORT	55 - 14
D1201172	BRACKET:DRIVE:TIGHTENER:PEEN	55 - 4
D1201175	PULLEY:REGISTRATION:TIGHTENER	55 - 3
D1201178	HOLDER:REGISTRATION	53 - 4
D1201185	BRACKET:DRIVE:FUSING:PEEN	53 - 5

Part No.	Description	Page and Index No.
D1201189	BRACKET:FUSING:SWIVEL:PEEN	53 - 7
D1201193	LEVER:DC SOLENOID:ASS'Y	53 - 9
D1201264	DOOR:FRONT	3 - 14
D1201266	COVER:MAIN SWITCH:C2	3 - 16
D1201270	COVER:RIGHT	7 - 9
D1201271	COVER:RIGHT REAR	7 - 10
D1201272	COVER:RIGHT FRONT	7 - 7
D1201280	COVER:LEFT	7 - 1
D1201290	COVER:REAR:LOWER	7 - 11
D1201291	COVER:REAR:UPPER	7 - 2
D1201292	CAP:COVER:REAR UPPER	7 - 14
D1201300	COVER:PAPER EXIT SUB-UNIT:REAR	7 - 4
D1201301	COVER:PAPER EXIT SUB-UNIT:LEFT	5 - 3
D1201304	COVER:FRONT:RIGHT UPPER	3 - 7
D1201305	COVER:PAPER EXIT SUB-UNIT:RIGHT LOWER	7 - 3
D1201306	COVER:FRONT:RIGHT LOWER	3 - 8
D1201307	END FENCE:EXIT	3 - 1
D1201309	COVER:PAPER EXIT SUB-UNIT:INNER BACK	7 - 5
D1201321	COVER:SD-CARD	3 - 12
D1201322	COVER:SHIELD GLASS	3 - 11
D1201330	COVER:FRONT:ASS'Y	3 - 9
D1201337	CAP:COVER	7 - 13
D1201340	COVER:PAPER EXIT SUB-UNIT:LOWER	3 - 3
D1201341	COVER:PAPER EXIT SUB-UNIT:LOWER: UPPER	3 - 2
D1201342	COVER:PAPER EXIT SUB-UNIT:REAR LOWER	7 - 6
D1201343	COVER:PAPER EXIT SUB-UNIT:BEHIND	3 - 19
D1201386	HINGE:DOOR:FRONT:RIGHT	71 - 10
D1201387	HINGE:DOOR:FRONT:LEFT	71 - 14
D1201556	SHEET:LOGO:LAN	9 - 18
D1201557	SHEET:LOGO:GES	9 - 18
D1201891	LASER DIODE UNIT:ORVAL-C1:ASS'Y	27 - 3
D1201928	BLOCK:POSITIONING PIN: OPTICAL WRITING UNIT	27 - 1
D1202541	COVER:TRAY:RIGHT	57 - 6

Part No.	Description	Page and Index No.
D1202543	COVER:TRAY:LEFT	57 - 9
D1202612	BRACKET:HOME POSITION SENSOR:PEEN	51 - 22
D1202613	GUIDE PLATE:MANUAL FEED UNIT:LOWER	51 - 13
D1202614	SHEET:GUIDE PLATE:MANUAL FEED	51 - 10
D1202618	DISCHARGE BRUSH:PAPER FEED UNIT: UPPER	19 - 5
D1202618	DISCHARGE BRUSH:PAPER FEED UNIT: UPPER	21 - 29
D1202626	GUIDE PLATE:MANUAL FEED UNIT:UPPER	51 - 6
D1202631	DECAL:MANUAL FEED:INKJET:EXP	25 - 24
D1202632	DECAL:SIDE FENCE:MANUAL FEED	25 - 2
D1202633	DECAL:MANUAL FEED:EXTENSION TRAY	25 - 25
D1202638	COVER:PAPER:TRAILING EDGE	25 - 10
D1202651	DECAL:SCALE:MANUAL FEED	25 - 9
D1202692	GUIDE PLATE:REGISTRATION:LEFT:PEEN	23 - 17
D1202694	GUIDE PLATE:REGISTRATION:RIGHT	23 - 13
D1202696	LINK:MANUAL FEED TABLE	25 - 14
D1202697	BRACKET:REGISTRATION SENSOR	23 - 16
D1202699	GUIDE PLATE:REGISTRATION:LEFT:AUXILIARY	23 - 12
D1202710	SUPPORTER:LEFT:ASS'Y	71 - 13
D1202723	FEELER:PAPER SIZE SENSOR:INNER BACK	55 - 17
D1202724	BRACKET:PAPER SIZE SENSOR:INNER BACK	55 - 18
D1202736	COVER:MANUAL FEED TABLE	25 - 22
D1202740	EXTENSION TRAY:MANUAL FEED	25 - 16
D1202744	BASE:MANUAL FEED TABLE:ASS'Y	25 - 4
D1202747	SIDE FENCE:FRONT	25 - 1
D1202750	SIDE FENCE:REAR	25 - 3
D1202755	CLEANER:REGISTRATION:ASS'Y	23 - 1
D1202757	BRACKET:CLEANER:REGISTRATION	23 - 2
D1202762	SHAFT:FEED:ASS'Y	21 - 26
D1202810	SHAFT:SEPARATE:DRIVEN:ASS'Y	21 - 40
D1202816	GUIDE:HARNESS:PAPER FEED:INNER BACK	71 - 7
D1202819	KNOB:REGISTRATION ROLLER:ASS'Y	23 - 7
D1202820	CUSHION:ELECTROMAGNETIC CLUTCH: PAPER FEED	57 - 14

Part No.	Description	Page and Index No.
D1202826	BRACKET:REGISTRATION GUIDE:FRONT	23 - 6
D1202827	BRACKET:REGISTRATION GUIDE:REAR	23 - 5
D1202829	TENSION SPRING:REGISTRATION:DRIVEN	23 - 11
D1202832	END FENCE:ASS'Y	17 - 3
D1202847	COVER:HARNESS:UPPER	19 - 1
D1202848	COVER:HARNESS:LOWER	19 - 2
D1202850	PAPER TRAY:NO.1:ASS'Y (for 1st tray)	17 - *
D1202851	SHEET:REGISTRATION SENSOR:OPPOSED	33 - 24
D1202860	GRIP:PAPER TRAY	17 - 28
D1202861	HOLDER:GRIP:PAPER TRAY	17 - 25
D1202862	LEVER:RELEASE:PAPER TRAY:INNER	17 - 24
D1202864	LEVER:STOPPER:POSITIONING	17 - 12
D1202870	DECAL:PAPER SET DIRECTION:TRAY:LEFT	17 - 30
D1202872	DECAL:PAPER TRAY:NO.1 (for 1st tray)	17 - 31
D1202873	DECAL:PAPER TRAY:NO.2 (for 2nd tray)	17 - 31
D1202875	DECAL:SIDE FENCE:REAR	17 - 13
D1202900	PAPER TRAY:NO.2:ASS'Y (for 2nd tray)	17 - *
D1202920	SIDE FENCE:FRONT:ASS'Y (for 1st tray)	17 - 4
D1202924	LEVER:STOPPER:FRONT	17 - 8
D1202925	CUSHION:REMOVE PAPER DUST:UPPER	29 - 13
D1202926	SIDE FENCE:FRONT:ASS'Y (for 2nd tray)	17 - 4
D1202930	SIDE FENCE:REAR:ASS'Y (for 1st tray)	17 - 9
D1202933	SIDE FENCE:REAR:ASS'Y (for 2nd tray)	17 - 9
D1202940	TRAY BOTTOM PLATE:NO.1:ASS'Y (for 1st tray)	17 - 1
D1202946	COVER:PAPER TRAY	17 - 27
D1202956	GUIDE PLATE:VERTICAL TRANSPORT:LOWER	47 - 1
D1202957	GUIDE PLATE:VERTICAL TRANSPORT: DRIVEN:UPPER	47 - 11
D1202958	SHEET:GUIDE:VERTICAL TRANSPORT:LOWER	47 - 2
D1202961	GUIDE PLATE:VERTICAL TRANSPORT:LEFT	19 - 10
D1202962	GUIDE PLATE:VERTICAL TRANSPORT:RIGHT	19 - 7
D1202963	GUIDE PLATE:SWIVEL:NO.2	19 - 4
D1202967	COVER:DUPLEX:LOWER	19 - 6
D1202996	GRIP:COVER:RIGHT	47 - 15
D1203000	PCU:EXP:ASS'Y	31 - *

Part No.	Description	Page and Index No.
D1203174	ARM:PRESSURE:CHARGE:REAR	31 - 13
D1203175	ELECTRODE PLATE:ROLLER:CHARGE:ASS'Y	31 - 14
D1203180	COVER:PCU:FRONT:ASS'Y	31 - 16
D1203183	GEAR:IDLER:TONER RECYCLING	31 - 15
D1203193	SHUTTER:PCU	31 - 17
D1203210	DRUM STAY:FRONT:ASS'Y	31 - 19
D1203233	DRUM STAY:REAR:SUB-ASS'Y	31 - 20
D1203320	DEVELOPMENT ROLLER:ASS'Y	31 - 21
D1203360	CASE:DEVELOPMENT ROLLER:ASS'Y	31 - 24
D1203371	CASE:DEVELOPMENT:ASS'Y	31 - 25
D1203440	JOINT:DEVELOPMENT	31 - 26
D1203452	DISCHARGE LAMP:C1:ASS'Y	23 - 19
D1203503	TONER SUPPLY UNIT:CTYPE:ASS'Y	29 - 1
D1203562	COVER:TONER BOTTLE:CTYPE:SUB-ASS'Y	29 - 8
D1203571	CHUCK:BOTTLE	29 - 7
D1203572	SHAFT:CHUCK	29 - 3
D1203573	SLIDER:ASS'Y	29 - 6
D1203606	CAM:HANDLE	29 - 2
D1203620	SPACER:DC MOTOR:TONER BOTTLE	29 - 9
D1203812	CLEANER:REGISTRATION:DRIVEN	33 - 3
D1203830	TRANSFER/SEPARATION UNIT:C1:ASS'Y	33 - 2
D1203855	COVER:TRANSFER/SEPARATION UNIT	33 - 8
D1203858	PLAIN SHAFT BEARING: POSITIONING:TRANSFER/SEPARATION UNIT	33 - 1
D1203859	COMPRESSION SPRING:PRESSURE: TRANSFER/SEPARATION UNIT	33 - 7
D1203861	TERMINAL:TRANSFER ROLLER	33 - 9
D1203862	TERMINAL:SEPARATION	33 - 10
D1203866	COVER:PRESSURE:TRANSFER UNIT	33 - 12
D1203867	ROLLER:TRANSFER UNIT	33 - 13
D1203905	COVER:DENSITY SENSOR	33 - 4
D1203908	COVER:HARNESS:DENSITY SENSOR	33 - 14
D1203911	COMPRESSION SPRING:PRESSURE: TRANSFER ROLLER:FRONT	33 - 18

Part No.	Description	Page and Index No.
D1203912	COMPRESSION SPRING:PRESSURE: TRANSFER ROLLER:REAR	33 - 11
D1203931	LEVER:SHUTTER	33 - 19
D1203941	BAND:STOPPER:COVER: TRANSFER/SEPARATION UNIT	33 - 20
D1204001	FUSING UNIT:NA:ASS'Y (for NA)	35 - *
D1204002	FUSING UNIT:EU:ASS'Y (for EU/AA/CHN/KOR)	35 - *
D1204003	FUSING UNIT:TWN:ASS'Y (for TWN)	35 - *
D1204032	FRAME:FUSING:UPPER:ASS'Y	35 - 1
D1204071	STOPPER:EXTERNAL CIRCLIP	35 - 20
D1204072	FRAME:FUSING:LOWER	37 - 23
D1204076	SPACER:SAFETY SWITCH:FUSING UNIT	37 - 29
D1204077	GUIDE:HARNESS:PLATE	35 - 19
D1204078	COVER:THERMOSTAT	37 - 21
D1204079	SHEET:PLATE:HARNESS	37 - 13
D1204080	SHEET:THERMOSTAT	37 - 22
D1204082	LINK:RELEASE:DRIVE	37 - 18
D1204083	LEVER:RELEASE:DRIVE	37 - 19
D1204085	FUSING ENTRANCE GUIDE PLATE:RIGHT	37 - 26
D1204086	GROUND PLATE: FUSING ENTRANCE GUIDE PLATE	37 - 25
D1204090	TERMINAL:HEATER	35 - 11
D1204091	ELECTRODE PLATE:THERMOSTAT:FRONT	37 - 31
D1204092	ELECTRODE PLATE:THERMOSTAT: CONNECTING	37 - 10
D1204093	ELECTRODE PLATE:THERMOSTAT:REAR	37 - 9
D1204094	HOUSING:THERMOSTAT	37 - 12
D1204095	THERMOSTAT:ASS'Y	37 - 11
D1204099	HOLDER:THERMISTOR	37 - 28
D1204101	BRACKET:STRIPPER PAWLS	35 - 7
D1204112	GRIP:PRESSURE:CHANGE	37 - 5
D1204116	LEVER:PRESSURE ROLLER:FRONT:PEEN	37 - 4
D1204117	LEVER:PRESSURE ROLLER:REAR:PEEN	37 - 7
D1204121	SIDE PLATE:FUSING:FRONT	37 - 2
D1204125	SIDE PLATE:FUSING:REAR	37 - 17

Part No.	Description	Page and Index No.
D1204161	KNOB SCREW:FIX:FUSING	35 - 18
D1204171	LEVER:PRESSURE RELEASE:FRONT:ASS'Y	37 - 3
D1204181	DECAL:GRIP:GUIDE PLATE:FUSING EXIT	35 - 2
D1204182	DECAL:EXCHANGE INDICATION:ENVELOPE	37 - 32
D1204183	DECAL:H-TEMP WARNING (for NA/TWN)	37 - 24
D1204184	DECAL:H-TEMP WARNING:SMALL	35 - 22
D1204187	DECAL:H-TEMP WARNING:EU (for EU/AA/CHN/KOR)	37 - 24
D1204191	LEVER:PRESSURE RELEASE:REAR:ASS'Y	37 - 6
D1204197	LEVER:LOCK:PRESSURE	37 - 1
D1204208	PLAIN SHAFT BEARING:FUSING	37 - 30
D1204452	GUIDE PLATE:PAPER EXIT UNIT:LOWER	39 - 12
D1204453	GUIDE PLATE:PAPER EXIT UNIT:UPPER	39 - 17
D1204454	GROUND PLATE:PAPER EXIT UNIT	39 - 13
D1204455	STAY:EXIT	39 - 18
D1204456	SPACER:EXIT	39 - 1
D1204474	SPRING PLATE:ROLLER:TENSION	39 - 7
D1204476	FEELER:PAPER FEED SENSOR	39 - 16
D1204478	FEELER:EXIT:EXIT	39 - 3
D1204479	SHAFT:EXIT:EXIT	39 - 2
D1204483	SPRING PLATE:ROLLER:TENSION:OUTER	39 - 9
D1204486	STOPPER:SPRING PLATE:OUTER	39 - 10
D1204487	STOPPER:SPRING PLATE	39 - 11
D1204489	COVER:EXIT:SENSOR	39 - 21
D1204609	SPACER:DUPLEX:CONTACT POINT:REAR	49 - 17
D1204610	SPACER:DUPLEX:CONTACT POINT:FRONT	49 - 18
D1204612	BRACKET:COVER:RIGHT:PEEN	49 - 12
D1204613	GUIDE PLATE:DRIVEN	45 - 9
D1204614	STOPPER:GUIDE PLATE:DRIVEN	45 - 20
D1204618	COVER:RIGHT	47 - 18
D1204619	GUIDE PLATE:DUPLEX:ENTRANCE	45 - 13
D1204625	LINK:FRONT:DUPLEX:ASS'Y	49 - 19
D1204628	INNER COVER:REAR	43 - 8
D1204629	INNER COVER:FRONT	43 - 9
D1204640	DECAL:DUPLEX:OPEN AND CLOSE	45 - 19

Part No.	Description	Page and Index No.
D1204643	DECAL:COVER:RIGHT	47 - 19
D1204645	INNER COVER:GRIP:DUPLEX UNIT	7 - 8
D1204645	INNER COVER:GRIP:DUPLEX UNIT	43 - 10
D1204647	BRACKET:DUPLEX:EXIT SENSOR	45 - 6
D1204653	ARM:PRESSURE RELEASE:DUPLEX:FRONT	45 - 15
D1204655	BRACKET:ARM:STOPPER	49 - 21
D1204664	ARM:PRESSURE RELEASE:DUPLEX:REAR	45 - 16
D1204665	GUIDE PLATE:OPEN AND CLOSE:GATE	43 - 7
D1204671	DC STEPPER MOTOR:DUPLEX:SUB-ASS'Y	49 - 13
D1204673	ARM:STOPPER:PEEN	49 - 5
D1204674	GUIDE PLATE:GATE:ASS'Y	43 - 12
D1204675	SPRING PLATE:GUIDE PLATE:PRESSURE	45 - 8
D1204677	LINK:STOPPER	49 - 2
D1204699	HOOK:STOPPER:REAR	47 - 12
D1204810	BRACKET:DC STEPPER MOTOR:PEEN	41 - 12
D1204811	SIDE PLATE:REVERSE:REAR:ASS'Y	41 - 27
D1204818	TRAY:REVERSE	3 - 4
D1204821	FRAME:REVERSE:UPPER	3 - 5
D1204821	FRAME:REVERSE:UPPER	41 - 29
D1204823	SIDE PLATE:REVERSE:FRONT:ASS'Y	41 - 28
D1204827	DC SOLENOID:24V:2.9N	41 - 26
D1204828	BRACKET:DC SOLENOID	41 - 19
D1204829	LINK:GATE PAWL:LOWER	41 - 24
D1204830	FRAME:REVERSE	41 - 20
D1204831	FRAME:REVERSE:LOWER	3 - 6
D1204831	FRAME:REVERSE:LOWER	41 - 30
D1204833	COVER:MOTOR:REVERSE	41 - 7
D1204834	BRACKET:REFLECTION PHOTO SENSOR: REVERSE	41 - 16
D1204837	GROUND PLATE:REVERSE ROLLER	41 - 2
D1204840	FRAME:REVERSE ROLLER	41 - 3
D1205274	HARNESS:DRAWER:FUSING:120V:NA (for NA/TWN)	35 - 8
D1205275	HARNESS:DRAWER:FUSING:230V:EU (for EU/AA/CHN/KOR)	35 - 8

Part No.	Description	Page and Index No.
D1205307	HARNESS:BCU:PAPER FEED SENSOR	39 - 22
D1205344	HARNESS:DEVELOPMENT:DRAWER	55 - 16
D1205602	LEVER:DOOR SWITCH:ASS'Y	67 - 8
D1205604	BRACKET:LINK:MAIN:ASS'Y	71 - 18
D1205608	GUIDE PLATE:TONER SUPPLY UNIT:ASS'Y	29 - 14
D1205613	GUIDE PLATE:FUSING UNIT:REAR	53 - 17
D1205615	BRACKET:COVER:REAR	71 - 17
D1205620	GRIP:RIGHT FRONT:ASS'Y	71 - 16
D1205623	COVER:GRIP:RIGHT FRONT	71 - 15
D1205624	GRIP:LEFT	71 - 2
D1205625	COVER:GRIP:LEFT	71 - 1
D1205629	BRACKET:MICRO SWITCH	67 - 5
D1205698	BRACKET:COVER:FRONT	19 - 12
D1205699	BRACKET:COVER:REAR	19 - 13
D1205733	PIN:BRACKET:MICRO SWITCH	67 - 15
D1205828	GRIP:REAR RIGHT	57 - 2
D1205831	BRACKET:POWER SUPPLY CORD	67 - 10
D1205833	BRACKET:POWER PACK	63 - 12
D1205834	BRACKET:GRIP:SUPPORT	57 - 3
D1205869	PANEL:INTERFACE	69 - 4
D1205875	SHADING PLATE:CTL	59 - 2
D1206105	COVER:DRIVE:FUSING:PEEN	53 - 1
D1206111	BRACKET:ARM:FUSING/PAPER EXIT UNIT	53 - 16
D1207440	BRACKET:DC MOTOR:TONER BOTTLE:Z:EXP	29 - 11
D1291508	KEYTOP:HOME	9 - 22
D1291528	SHEET:KEYTOP:LEFT	9 - 1
D1291568	SHEET:APPLICATION:MULTI-LANGUAGE:BLANK	9 - 30
D1425765	HDD:TOSHIBA:250GB (SP Model)	69 - 6
D1441396	HOLDER:EXPOSURE GLASS:IG:ASS'Y	3 - 23
D1471750	SHEET:GAP:ASS'Y	11 - 12
D1471805	EXPOSURE GLASS:DOCUMENT FEEDER:APPLY	11 - 2
D1491427	TOUCH PANEL:WVGA-9:MV	9 - 2
D1491430	CABLE:FFC:OP-L	9 - 3
D1491431	CABLE:FFC:OP-R	9 - 4
D1491433	HARNESS:POWER	9 - 5

Part No.	Description	Page and Index No.
D1491434	CABLE:LCDC:USB	9 - 6
D1491435	CABLE:USB	9 - 7
D1491478	PCB:OP-L:ASS'Y	9 - 8
D1491494	PCB:OP-R:ASS'Y	9 - 9
D1491504	KEYTOP:START	9 - 23
D1491505	KEYTOP:STOP	9 - 24
D1491508	KEYTOP:RESET SWITCH	9 - 26
D1491510	KEYTOP:LEFT	9 - 27
D1491511	LENS:FRONT	9 - 11
D1491512	COVER:REAR:LARGE	9 - 12
D1491513	COVER:REAR:SMALL:LEFT	9 - 13
D1491514	COVER:REAR:SMALL:MIDDLE	9 - 14
D1491515	COVER:REAR:SMALL:RIGHT	9 - 15
D1491530	SPACER:LCD:A	9 - 16
D1491531	SPACER:LCD:B	9 - 17
D1491533	COVER:UPPER:SH:NA (for NA/AA/KOR)	9 - 10
D1491538	KEYTOP:10KEY:EU (for EU/TWN/CHN)	9 - 25
D1491539	KEYTOP:10KEY:AA (for NA/AA/KOR)	9 - 25
D1491544	SHEET:APPLICATION:DOC:NA (DOC, for AA)	75 - 3
D1491544	SHEET:APPLICATION:DOC:NA (for AA)	75 - 10
D1491546	SHEET:APPLICATION:SCANNER:NA (for AA)	73 - 1
D1491546	SHEET:APPLICATION:SCANNER:NA (SCANNER, for AA)	75 - 3
D1491547	SHEET:APPLICATION:PRINTER:NA (PRINTER, for AA)	75 - 3
D1491549	SHEET:APPLICATION:DOC:EU (DOC, for EU)	75 - 3
D1491549	SHEET:APPLICATION:DOC:EU (for EU)	75 - 10
D1491551	SHEET:APPLICATION:SCANNER:EU (for EU)	73 - 1
D1491551	SHEET:APPLICATION:SCANNER:EU (SCANNER, for EU)	75 - 3
D1491552	SHEET:APPLICATION:PRINTER:EU (PRINTER, for EU)	75 - 3
D1491553	SHEET:LOGO:RIC	9 - 18
D1491555	COVER:UPPER:SH:CHN (for CHN)	9 - 10
D1491557	COVER:UPPER:SH:TWN (for TWN)	9 - 10

Part No.	Description	Page and Index No.
D1491564	SHEET:APPLICATION:DOC:CHN (DOC, for CHN)	75 - 3
D1491564	SHEET:APPLICATION:DOC:CHN (for CHN)	75 - 10
D1491566	SHEET:APPLICATION:SCANNER:CHN (for CHN)	73 - 1
D1491566	SHEET:APPLICATION:SCANNER:CHN (SCANNER, for CHN)	75 - 3
D1491567	SHEET:APPLICATION:PRINTER:CHN (PRINTER, for CHN)	75 - 3
D1491569	SHEET:APPLICATION:DOC:TWN (DOC, for TWN)	75 - 3
D1491569	SHEET:APPLICATION:DOC:TWN (for TWN)	75 - 10
D1491571	SHEET:APPLICATION:SCANNER:TWN (for TWN)	73 - 1
D1491571	SHEET:APPLICATION:SCANNER:TWN (SCANNER, for TWN)	75 - 3
D1491572	SHEET:APPLICATION:PRINTER:TWN (PRINTER, for TWN)	75 - 3
D1491575	SHEET:APPLICATION:MULTI-LANGUAGE:NA (for NA/AA/KOR)	9 - 30
D1491576	SHEET:APPLICATION:MULTI-LANGUAGE:EU (for EU)	9 - 30
D1491577	SHEET:APPLICATION:MULTI-LANGUAGE:CHN (for CHN)	9 - 30
D1491578	SHEET:APPLICATION:MULTI-LANGUAGE:TWN (for TWN)	9 - 30
D1491588	KEYTOP:POWER SOURCE:BA	9 - 28
D1491589	COVER:UPPER:SH:EU:BA (for EU)	9 - 10
D1491693	GUIDE:FFC	13 - 15
D1491694	PLATE SEAL:APS:HARNES	13 - 16
D1491703	DC STEPPER MOTOR:PRESS FIT	15 - 2
D1491705	BRACKET:DC STEPPER MOTOR	15 - 19
D1491706	SYNCHRONOUS BELT:138ST1.5-4.0	15 - 3
D1491709	TENSION SPRING:TENSION:11.3N:30MM	15 - 15
D1491710	TIMING PULLEY:62	15 - 11
D1491711	SHAFT:SCANNER:DRIVE	15 - 17
D1491714	DRIVE WERE:DIA1	15 - 12
D1491715	PULLEY:DRIVE WERE:FRONT	15 - 16
D1491717	PULLEY:DRIVE WERE:REAR	15 - 13

Part No.	Description	Page and Index No.
D1491718	BRACKET:TENSION:REAR	15 - 21
D1491719	BRACKET:TENSION:FRONT	15 - 20
D1491721	ILLUMINATION UNIT:LED-B:ASS'Y	13 - 11
D1491726	CLAMP:DRIVE WERE	13 - 14
D1491728	GUIDE:HARNESS:LED-B	13 - 10
D1491730	CARRIAGE:NO.1:ASS'Y	13 - 8
D1491731	REFLECTOR:SCANNER	13 - 18
D1491742	CARRIAGE:NO.2:SUB-ASS'Y	13 - 1
D1491754	GUIDE:FFC:CARRIAGE:NO.2	13 - 6
D1491755	COVER:FFC:CARRIAGE:NO.2	13 - 7
D1491756	MIRROR:NO.2:CONCAVE:ASS'Y	13 - 2
D1491757	MIRROR:NO.3:CONVEX:ASS'Y	13 - 4
D1491771	LENS:HOLDER:ASS'Y	15 - 7
D1491780	INNER COVER:PEEN	13 - 17
D1491792	SCALE:LEFT:DOM/EU:ASS'Y (for EU/AA/KOR/TWN/CHN)	11 - 5
D1491793	SCALE:LEFT:NA:ASS'Y (for NA)	11 - 5
D1491795	SCALE:REAR:PRINTING	11 - 9
D1491798	SEAL:SHEET THROUGH:DOCUMENT FEEDER	11 - 13
D1491800	COVER:SHEET THROUGH: DOCUMENT FEEDER	11 - 1
D1491801	BRACKET:SCALE:LEFT	11 - 3
D1491804	HOLDER:EXPOSURE GLASS:SCANNER	11 - 14
D1491805	HOLDER:EXPOSURE GLASS	11 - 15
D1491812	BRACKET:SIO:PEEN	15 - 22
D1491835	BRACKET:DEHUMIDIFIER:HEATER	13 - 19
D1494390B	DECAL:CAUTION:INKJET:GB	3 - 24
D1495138	PCB:SIO	15 - 8
D1495202	HARNESS:SIO:SENSOR	11 - 8
D1495206	HARNESS:SIO:SCANNER UNIT	15 - 9
D1495207	HARNESS:FFC:LED	13 - 9
D1495883	KEYTOP:MAIN SWITCH	67 - 18
D1496766	DECAL:CAUTION:ORIGINAL:ENGLISH	5 - 13
D1496767	DECAL:CAUTION:ORIGINAL:CHINESE	5 - 13
D1496768	DECAL:CAUTION:ORIGINAL:TAIWAN	5 - 13

Part No.	Description	Page and Index No.
D1595304	HARNESS:SIO:STM	15 - 1
D1645200	PCB:WLAN-PPM1:ASS'Y	73 - 13
D1665024	SD-CARD:OCR:EXP:ASS'Y	73 - 7
D1795730	PCB:DCSW:B-C1:ASS'Y	67 - 12
D1820076	HEATER:NA:ASS'Y	67 - 20
D1820077	HEATER:EU:ASS'Y	67 - 20
D1820221	REVERSE UNIT:ASS'Y	41 - *
D1821027	BRACKET:DRIVE:DRUM:ASS'Y	53 - 12
D1821270	COVER:FRONT RIGHT:UPPER	5 - 6
D1821271	COVER:SCANNER:FRONT UPPER	5 - 4
D1821272	COVER:SCANNER:FRONT LOWER	5 - 5
D1821273	COVER:OPERATION SUB-UNIT:UPPER	5 - 7
D1821274	COVER:OPERATION SUB-UNIT:LOWER	5 - 14
D1821284	COVER:SCANNER:LEFT	5 - 2
D1821285	COVER:SCANNER:LEFT:UPPER	5 - 1
D1821287	COVER:SCANNER:RIGHT	5 - 10
D1821288	COVER:SCANNER:RIGHT:UPPER	5 - 9
D1821290	COVER:SCANNER:REAR	5 - 8
D1821300	COVER:MAIN SWITCH	67 - 11
D1821301	COVER:LEFT REAR:BASIC (for BASIC)	7 - 12
D1821302	COVER:LEFT REAR:SP (for SP)	7 - 12
D1821411	OPERATION SUB-UNIT:OR-C2:NA:ASS'Y (for NA/AA/KOR)	9 - *
D1821412	OPERATION SUB-UNIT:OR-C2:EU:ASS'Y (for EU)	9 - *
D1821414	OPERATION SUB-UNIT:OR-C2:CHN:ASS'Y (for CHN)	9 - *
D1821415	OPERATION SUB-UNIT:OR-C2:TWN:ASS'Y (for TWN)	9 - *
D1821425	LCD:TFT:WVGA-9:LED:AUO	9 - 19
D1821432	CABLE:FFC:LCD	9 - 20
D1821455	PCB:LCDC:AR2FT:OR-C2:ASS'Y	9 - 21
D1821815	BRACKET:DOCUMENT FEEDER:RIGHT	11 - 16
D1821816	BRACKET:DOCUMENT FEEDER:LEFT	11 - 17
D1821818	BRACKET:DOCUMENT FEEDER:CABLE	11 - 18
D1821860	OPTICAL WRITING UNIT:ASS'Y	27 - *

Part No.	Description	Page and Index No.
D1822634	MANUAL FEED TABLE:ASS'Y	25 - *
D1822700	PAPER FEED UNIT:ASS'Y	19 - 3
D1822700	PAPER FEED UNIT:ASS'Y	21 - *
D1823461	RECEPTACLE:CHARGE:ASS'Y	55 - 22
D1823461	RECEPTACLE:CHARGE:ASS'Y	63 - 15
D1823950	RECEPTACLE:TRANSFER/SEPARATION UNIT:O-C2:ASS'Y	55 - 23
D1823950	RECEPTACLE:TRANSFER/SEPARATION UNIT:O-C2:ASS'Y	63 - 14
D1825122	PCB:BCU:ASS'Y	63 - 7
D1825152	PCB:IMAGE PROCESSING UNIT:ORVAL-C2	61 - 4
D1825205	HARNESS:SIO:IMAGE PROCESSING UNIT	15 - 10
D1825221	INTERFACE CABLE:SCANNER:LVDS:ASS'Y	15 - 6
D1825223	HARNESS:LASER DIODE	27 - 4
D1825250	HARNESS:ORV-C2:OPERATION SUB-UNIT:ASS'Y	9 - 29
D1825250	HARNESS:ORV-C2:OPERATION SUB-UNIT:ASS'Y	63 - 13
D1825250	HARNESS:ORV-C2:OPERATION SUB-UNIT:ASS'Y	65 - 8
D1825260	CABLE:HDD:SATA:POWER_3P:70 (SP Model)	69 - 7
D1825260	CABLE:HDD:SATA:POWER_3P:70	75 - 4
D1825261	CABLE:HDD:SATA:RED_105:ORV-C2 (SP Model)	69 - 8
D1825261	CABLE:HDD:SATA:RED_105:ORV-C2	75 - 5
D1825302	HARNESS:BCU:MOTOR:MAIN	63 - 10
D1825304	HARNESS:BCU:DOOR SWITCH	67 - 4
D1825305	HARNESS:BCU:DISCHARGE LAMP	63 - 2
D1825306	HARNESS:BCU:PAPER EXIT SECTION:1BIN	63 - 5
D1825308	HARNESS:BCU:IPU	61 - 3
D1825310	HARNESS:POWER SUPPLY UNIT:SDB: SHORT CIRCUIT	67 - 9
D1825312	HARNESS:PSU	67 - 3
D1825314	HARNESS:AC:INLET	67 - 2
D1825315	HARNESS:FFC:BCU:IMAGE PROCESSING UNIT	63 - 8
D1825317	HARNESS:BCU:HVP	63 - 4
D1825319	HARNESS:AC:HEATER:EXP	67 - 14
D1825321	HARNESS:AC:FUSING:NA (for NA/TWN)	53 - 6
D1825321	HARNESS:AC:FUSING:NA (for NA/TWN)	63 - 11

Part No.	Description	Page and Index No.
D1825321	HARNESS:AC:FUSING:NA (for NA/TWN)	67 - 1
D1825322	HARNESS:AC:FUSING:EU (for EU/AA/CHN/KOR)	53 - 6
D1825322	HARNESS:AC:FUSING:EU (for EU/AA/CHN/KOR)	63 - 11
D1825322	HARNESS:AC:FUSING:EU (for EU/AA/CHN)	67 - 1
D1825330	HARNESS:BCU:MAIN:LOWER	63 - 9
D1825336	HARNESS:CONNECTING:DENSITY SENSOR	33 - 16
D1825337	HARNESS:CONNECTING: REGISTRATION SENSOR	23 - 14
D1825338	HARNESS:CONNECTING:RIGHT:DOOR SWITCH	55 - 21
D1825341	HARNESS:BCU:JOINT UNIT	61 - 2
D1825343	HARNESS:HVP:B	63 - 6
D1825351	HARNESS:CONNECTING:DUPLEX UNIT: SENSOR	45 - 23
D1825352	HARNESS:DUPLEX UNIT:MAIN	45 - 14
D1825352	HARNESS:DUPLEX UNIT:MAIN	49 - 14
D1825353	HARNESS:PAPER FEED UNIT	21 - 3
D1825355	HARNESS:REVERSE UNIT	41 - 18
D1825357	HARNESS:MANUAL FEED UNIT:MAIN	49 - 16
D1825358	HARNESS:CONNECTING:MANUAL FEED UNIT: SENSOR	25 - 12
D1825524	SD-CARD:PRT/SCN:ORV-C2:EXP:ASS'Y (SP Model)	69 - 5
D1825524	SD-CARD:PRT/SCN:ORV-C2:EXP:ASS'Y	75 - 6
D1825616	BRACKET:MAIN SWITCH	67 - 17
D1825760	PCB:CTL:ORV-C2_EXP:25CPM	69 - 1
D1825761	PCB:CTL:ORV-C2_EXP:30CPM	69 - 1
D1825762	PCB:CTL:ORV-C2_EXP:33CPM	69 - 1
D1825852	COVER:EMI:CTL	59 - 3
D1825897	SEAL:SHEET:SMC	3 - 20
D1826800	MODEL NAME PLATE:MP2553	5 - 11
D1826801	MODEL NAME PLATE:MP2553SP	5 - 11
D1826802	MODEL NAME PLATE:DSM1525SP	5 - 11
D1836800	MODEL NAME PLATE:MP3053	5 - 11
D1836801	MODEL NAME PLATE:MP3053SP	5 - 11
D1836802	MODEL NAME PLATE:DSM1530	5 - 11

Part No.	Description	Page and Index No.
D1846800	MODEL NAME PLATE:MP3353	5 - 11
D1846801	MODEL NAME PLATE:MP3353SP	5 - 11
D1846802	MODEL NAME PLATE:DSM1533	5 - 11
D1849590	NVRAM: ZERO COUNTER	69 - 12
D3775603	PCB:MLB32	73 - 9
D3775698	VELCRO FASTENER:COVER:ANTENNA:250	73 - 14
D5665400	MODULE:BLUETOOTH:USB	73 - 11
D5667002	CD-ROM:BLUETOOTH:OI:EXP:ASS'Y	73 - 12
D5844656	EXTENSION TRAY:EXIT:STAND	81 - 3
D5931264	BRACKET:TABLE:IC CARD	77 - 6
D5931270	TABLE:IC CARD:UPPER:ASS'Y	77 - 7
D5931273	TABLE:IC CARD:LOWER	77 - 8
D6107631	TRAY:AUXILIARY:SHIFT TRAY	81 - 5
D6843553	GUIDE:SCANNING:INNER BACK	81 - 2
D6843554	GUIDE:SCANNING:FRONT	81 - 1
D6861455	BRACKET:COUPLING:GROUND PLATE:REAR: ASS'Y	79 - 8
D6866611	SHEET:PROTECTION:TRAY	81 - 6
D6867010	CUSHION:SPACER	79 - 1
D6867021	COVER:RIGHT SIDEWAYS:LOWER	79 - 7
D6867022	COVER:RIGHT SIDEWAYS:UPPER	79 - 6
D6867192	GUIDE PLATE:CONNECTING:UPPER	79 - 2
D6867821	DECAL:MISFEED REMOVAL:BIND:YES: ORVAL (for SR3150)	79 - 4
D6877821	DECAL:MISFEED REMOVAL:BIND:NO: ORVAL (for SR3140)	79 - 5
D6886141	PROOF TRAY:AUXILIARY	81 - 4
D7575031	SD-CARD:P_OPTION:ORV-C2:EXP:ASS'Y	75 - 9
D7575041	SD-CARD:SCN:ORV-C2:EXP:ASS'Y	73 - 2
D7575051	SD-CARD:PS3:ORV-C2:EXP:ASS'Y	73 - 3
D7585031	SD-CARD:NETWARE:ORV-C2:EXP:ASS'Y	73 - 5
D7585041	SD-CARD:MFPBROWSER:ORV-C2:EXP:ASS'Y	73 - 6
D8470170	TONER SUPPLY UNIT:ORVAL-C1:ATYPE	29 - 1
G0201332	SHAFT:HINGE	3 - 18
G0205626	PUSH SWITCH	55 - 20

Part No.	Description	Page and Index No.
G0205871	SPACER:LOCK:KGLS-12RT	63 - 3
G0291980	DECAL:LD	27 - 7
G0524618	BALL BEARING:30X42X7	35 - 13
G0602652	PLAIN SHAFT BEARING:MM4	47 - 9
G0652767	LEVER:FEED	21 - 24
G0652774	LEVER:PRESSURE:SEPARATE	21 - 32
G0652775	LINK:RELEASE	21 - 38
G0652776	LEVER:PRESSURE RELEASE	21 - 37
G1025502	POWER SUPPLY CORD:EU(for EU/AA/KOR)	67 - 101
G4042810	SPRING PLATE:MIRROR:NO.2	13 - 3
G5701225	SHIELDING PLATE:HOME POSITION SENSOR	11 - 7
GA003264	DECAL:PS3:I-GRAY	73 - 4
GA003268	DECAL:PDF:I-GRAY:ABS	75 - 7
GA143003	SCREW:MM5:2.5MM	43 - 4
GW010007	REFLECTION PHOTO SENSOR:EXIT	23 - 15
GW010007	REFLECTION PHOTO SENSOR:EXIT	41 - 17
GX645734	FAN:MM80	65 - 6
M0261815	CLAMP:MIRROR:NO.1	13 - 13
M1095245	PCB:DDR3-DIMM:512MB(32BIT):ASS'Y (Basic Model)	69 - 11
M1245765	HDD:TOSHIBA:250GB:PHL	75 - 8
M1252877	DECAL:SIZE INDICATION:PAPER TRAY	3 - 21
M1295245	PCB:DDR3-DIMM:RC-A:1.5GB:ASS'Y (SP Model)	69 - 11
M1295245	PCB:DDR3-DIMM:RC-A:1.5GB:ASS'Y	73 - 8